



WALL MOUNTED SPLIT-TYPE AIR CONDITIONERS

SERVICE MANUAL

No.180321

Models

TAC-07HRA/E1/TACO-07HA/E1
TAC-09HRA/E1/TACO-09HA/E1
TAC-12HRA/E1/TACO-12HA/E1
TAC-18HRA/E1/TACO-18HA/E1
TAC-24HRA/E1/TACO-24HA/E1
TAC-28HRA/E1/TACO-28HA/E1
TAC-07HRA/EW/ TAC-07HA/EW
TAC-09HRA/EW/ TAC-09HA/EW
TAC-12HRA/EW/ TAC-12HA/EW
TAC-18HRA/EW/ TAC-18HA/EW
TAC-09HRA/ES/ TACO-09HA/ES
TAC-12HRA/ES/ TACO-12HA/ES
TAC-36HRA/WE/ TACO-36HA/WE

CONTENTS

1. IMPORTANT NOTICE
2. PRODUCT DIMENSIONS
3. REFRIGERATION CYCLE DIAGRAM
4. OPERATION DETAILS
5. WIRING DIAGRAM
6. EXPLOSION VIEW AND PART LISTS
7. PRECAUTION
8. NAMES OF PARTS
9. INSTALLATION
10. TROUBLE SHOOTING
11. DISASSEMBLY PROCEDURE

1. IMPORTANT NOTICE

This service manual is intended for use by individuals possessing adequate backgrounds of electrical, electronic and mechanical experience. Any attempt to repair the appliance may result in personal injury and property damage. The manufacturer or seller cannot be responsible for the interpretation of this information, nor can it assume any liability in connection with its use.

The information, specifications and parameters are subject to change due to technical modification or improvement without any prior notice. The accurate specifications are presented on the nameplate label.

How to order spare parts

To have your order filled promptly and correctly, please furnish the following information:

Model No. with Indoor or Outdoor

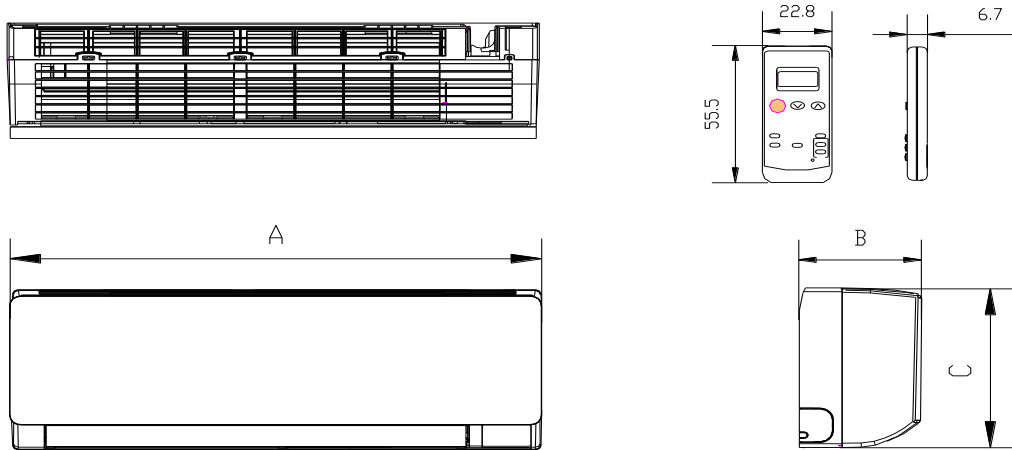
Part No. in the Explosion View

Part Name

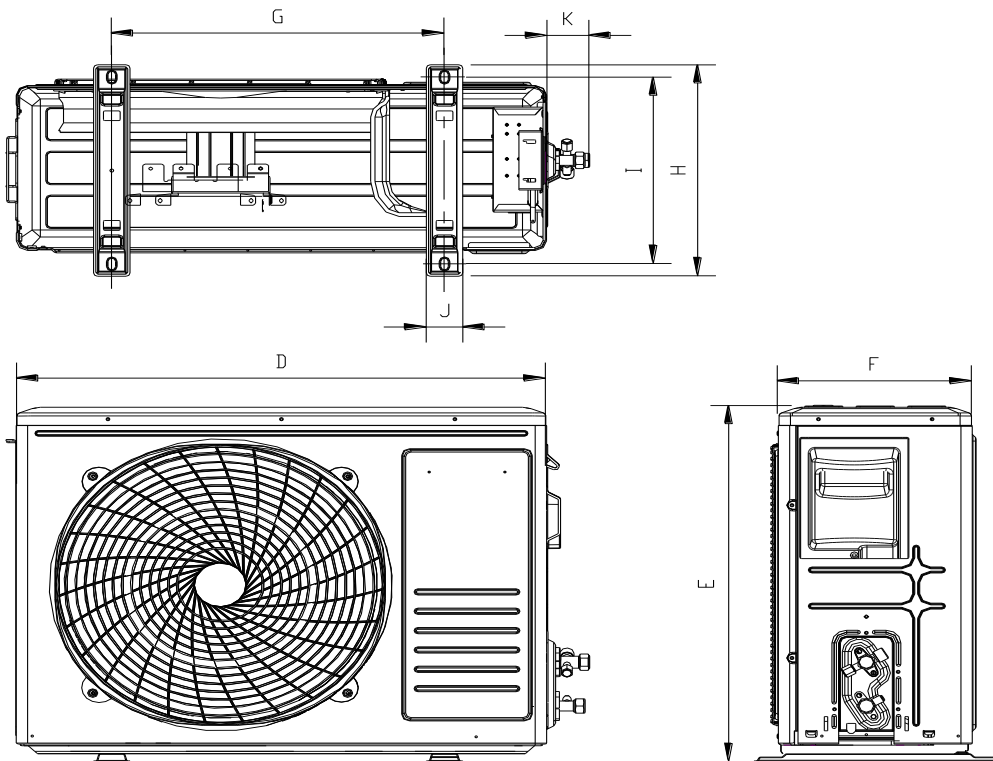
The quantity you ordered

3. Product Dimensions

Indoor Unit:



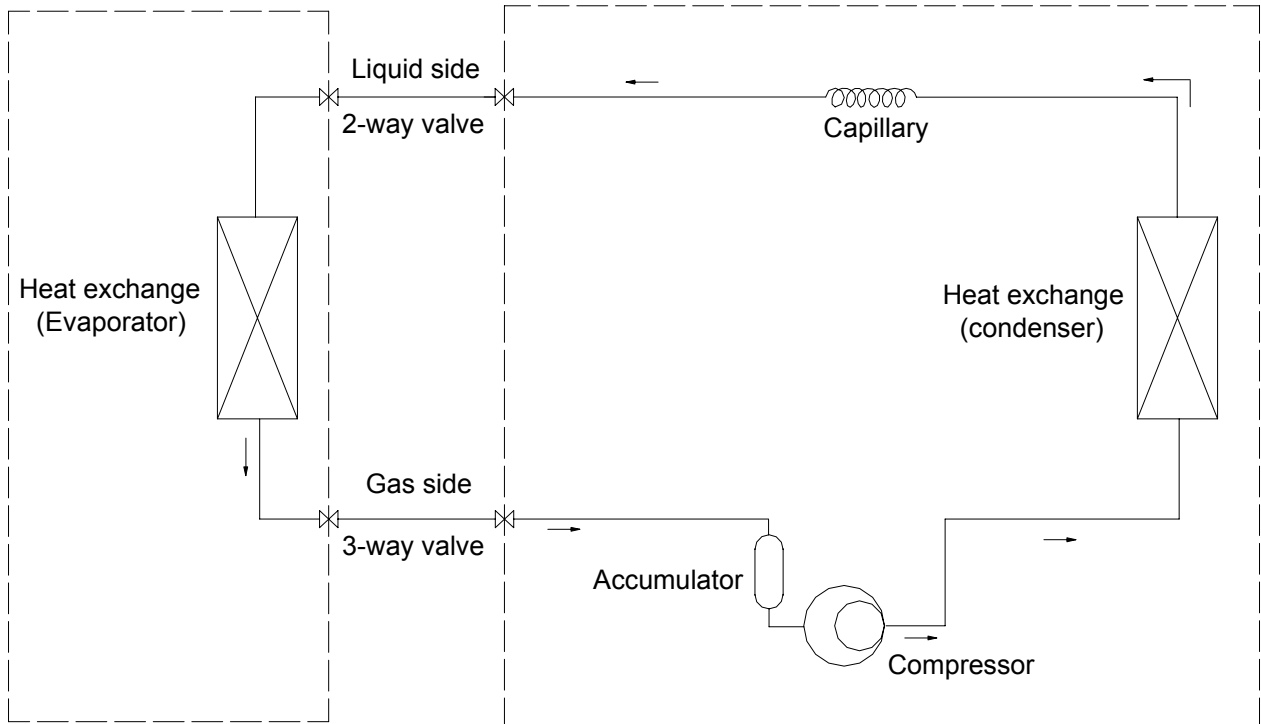
Outdoor Unit:



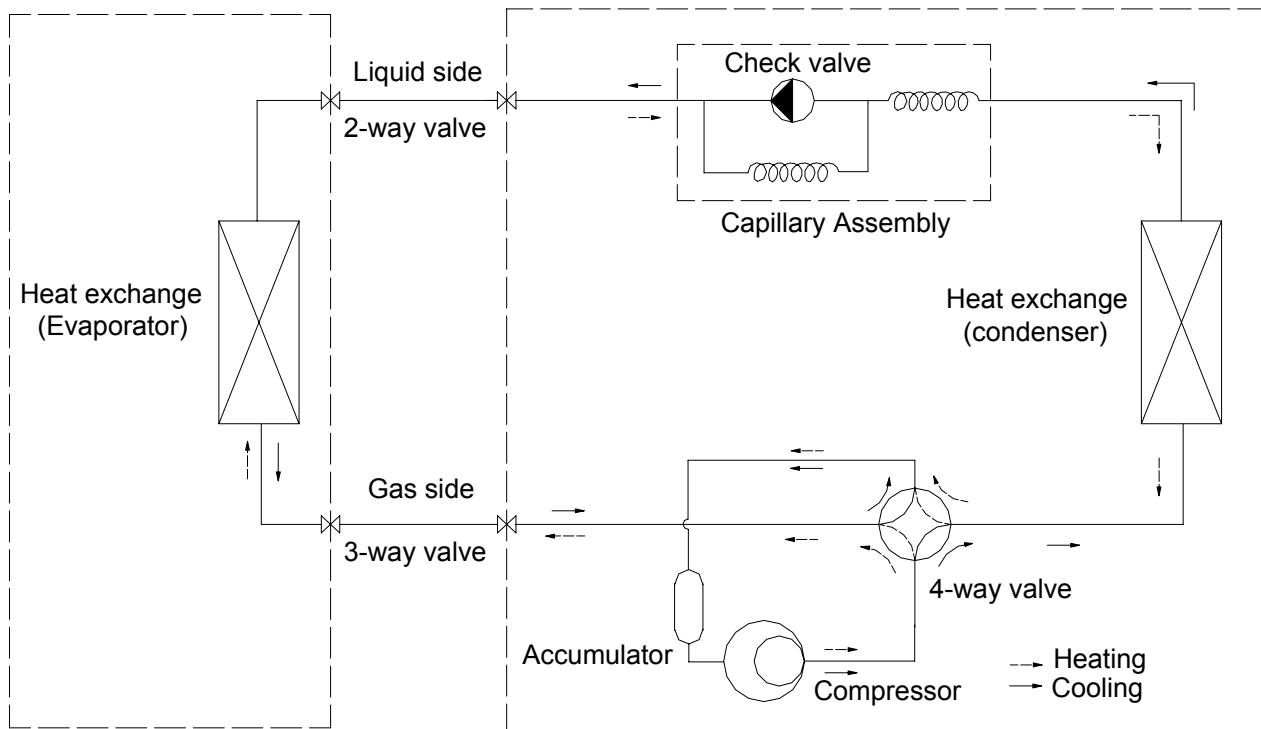
Model	Indoor unit			Outdoor unit							
	A	B	C	D	E	F	G	H	I	J	K
TAC-07HRA/E1	698	255	190	600	500	232	375	276	256	52	55
TAC-07HRA/EW	698	255	190	600	500	232	375	276	256	52	55
TAC-09HRA/E1	698	255	190	600	500	232	375	276	256	52	55
TAC-09HRA/EW	698	255	190	600	500	232	375	276	256	52	55
TAC-09HRA/ES	698	255	190	600	500	232	375	276	256	52	55
TAC-12HRA/E1	777	250	205	700	552	256	439.2	302	277.8	48	55
TAC-12HRA/EW	777	250	205	700	552	256	439.2	302	277.8	48	55
TAC-12HRA/ES	777	250	205	700	552	256	439.2	302	277.8	48	55
TAC-18HRA/E1	910	292	205	760	552	256	508	302	277.8	48	55
TAC-18HRA/EW	910	292	205	760	552	256	508	302	277.8	48	55
TAC-24HRA/E1	910	292	205	820	605	300	518	357	329	55	63
TAC-28HRA/E1	1010	315	220	900	650	307	623	399	349	65	63
TAC-36HRA/WE	1460	349	285	900	805	360	675	399	378	50	63

3. Refrigeration cycle diagram

Cooling only

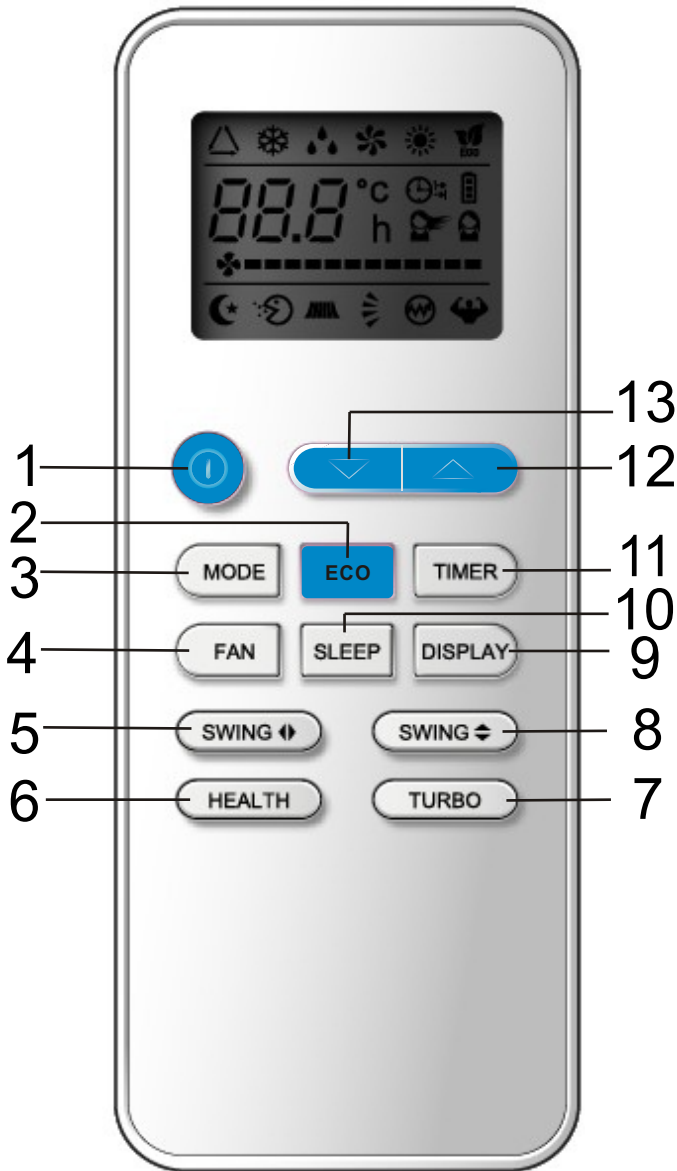


Heat pump



4. Operation Details

Remote controller



- 1 ON/OFF button**
To switch the conditioner on and off.
- 2 ECO button**
In cooling mode, press this button, the temperature will increase 2°C on the base of setting temperature: In heating mode, press this button, the temperature will decrease 2°C on the base of setting temperature.
- 3 MODE button**
To select the mode of operation.
- 4 FAN SPEED button**
To select the fan speed of auto/low/mid/high.
- 5 SWING button**
To activate or deactivate of the movement of the “DEFLECTORS”.
- 6 HEALTH button**
To switch - on /off HEALTHY function. It is a button which controls the ionizer or plasma generator only for inverter type.
- 7 TURBO button**
In cooling mode, press this button, the unit will give the maximum cooling temperature with 16°C
In heating mode, press this button, the unit will give the maximum heating temperature with 31°C.
- 8 SWING button**
To activate or deactivate of the movement of the “DEFLECTORS”.
- 9 DISPLAY button**
To switch on/off the LED display (if present)
- 10 SLEEP button**
To activate the function “SLEEP”.
- 11 TIMER button**
To set automatic switching-on/off.
- 12 TEMP UP button**
Increase the temperature or time by 1 unit.
- 13 TEMP DOWN button**
Decrease the temperature or time by 1 unit.

Note: Each mode and relevant function will be further specified in following pages.

Remote Control

The remote controller is not presetting as Cooling Only Air Conditioner or Heat Pump by manufacturer. Each time after the remote controller replace batteries or is energized, the arrowhead will flashes on the front of “Heat” or “Cool” on LCD of the remote controller.

User can preset the remote controller type depending on the air conditioner type you have purchased as follows:

Press any button when the arrowhead flashes on the front of “Cool”, Cooling Only is set.

Press any button when the arrowhead flashes on the front of “Heat”, Heat Pump is set.

If you don't press any button within 10 seconds, the remote controller is preset as Heat Pump automatically.

Note :

If the air conditioner you purchased is a Cooling Only one, but you preset the remote controller as Heat Pump, it doesn't bring any matter. But if the air conditioner you purchased is a Heat Pump one, and you preset the remote controller as Cooling Only, then you CAN NOT preset the Heating operation with the remote controller.

Electronic controller

NOTES:

- RT**-----Room Temperature.
IPT-----Indoor Pipe Temperature.
ST-----indoor Setting Temperature.
OPT---Outdoor Pipe Temperature.
CRT---Compensated Room Temperature

1. Automatic mode

1) The initial RT determines A/C working mode and the setting temperature (ST), the mode is determined effective only once unless A/C shut-down and then re-started. If from other mode switches to automatic mode (including mode conversion after shutdown), it should be that the compress stop more than 3 min then temperature judgment and automatic mode are conducted (it can conduct immediately from fan mode switched to automatic, the indoor fan stops, three minutes later the response is made and start up). Within 3 min, the output as: Showing the room temperature, indoor fans starts (or anti-cold airflow), the outdoor fan stops;

With auto re-start controller, once being turned off or in case of an accidently power cut, the A/C is able to retain and restore the original mode when being turned on or the power supply is resumed, if the auto restart function activated. power-off after power-on; while if the auto restart function isn't activated, the A/C enters standby state.

Heat pump

Mode	Initial RT	Initial ST
Cooling	$RT \geq 26^{\circ}\text{C}$	23°C
Dry	$26^{\circ}\text{C} > RT \geq 20^{\circ}\text{C}$	7°C
Heating	$RT < 20^{\circ}\text{C}$	23°C

Cooling-only

Mode	Initial RT	Initial ST
Cooling	$RT \geq 26^{\circ}\text{C}$	23°C
Dry	$26^{\circ}\text{C} > RT \geq 20^{\circ}\text{C}$	7°C
Ventilating	$RT < 20^{\circ}\text{C}$	—

Under automatic mode (including from automatic converted into Dry mode), when A/C received the temperature UP or DOWN signals from the remote controller, the setting temperature (ST) adjusts correspondingly to the current room temperature plus or minus 1°C , the automatic regulating temperature range is $\pm 2^{\circ}\text{C}$.

2. Cooling mode

- 1) The control of the compressor
 - a. When $RT - ST \geq 1^{\circ}\text{C}$, the compressor is running.
 - b. When $RT - ST < -1^{\circ}\text{C}$, the compressor stops.
 - c. When $-1^{\circ}\text{C} \leq RT - ST < 1^{\circ}\text{C}$, the compressor keeps its original state.
- 2) Outdoor fan motor and the compressor run simultaneously (except for defrosting).
- 3) The control of indoor fan motor:
 - a. Indoor fan motor can operate by automatic, low, middle, or high airflow speed circularly.

b. Indoor fan motor automatic airflow speed control, it works as shown in Figure 1:

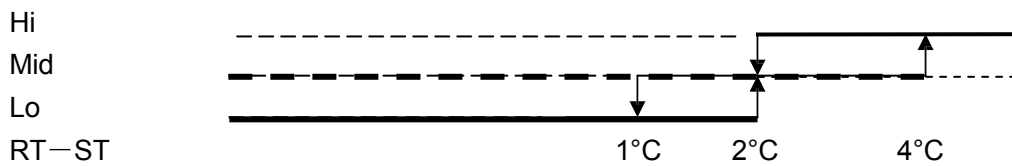


Figure 1 Cooling automatic airflow

When the temperature changing leads the fan speed variation, the switch can only be made orderly, and in every grade of air flow speed should run 1 minute at least.

3. Dry mode

While select to this mode, the air conditioner operates for 3 minutes according to cooling mode firstly (ST set at 7°C), and then takes the detected backflow air temperature minus 2°C as a new set temperature (*the lowest temperature: 5°C*) and runs according to cooling mode, indoor fan operates at low-speed, at this moment the setting operation of fan speed invalid but Swing adjustable.

4. Heating mode

On the Heating mode, the room temperature (RT) is compensated (CRT), after that, the room temperature displayed on the LED is $CRT = RT - 3^{\circ}\text{C}$.

- 1) The control of the compressor
 - a. When $ST - CRT \geq 1^{\circ}\text{C}$, the compressor is running.
 - b. When $ST - CRT < -1^{\circ}\text{C}$, the compressor stops.
 - c. When $-1^{\circ}\text{C} \leq ST - CRT < 1^{\circ}\text{C}$, the compressor keeps its original state
- 2) Outdoor fan motor and the compressor run simultaneously (except for defrosting)
- 3) The control of indoor fan motor:
 - a. Indoor fan motor can operate by automatic, low, middle, or high airflow speed circularly.
 - b. Indoor fan motor automatic airflow speed control, it works as shown in Figure 2:

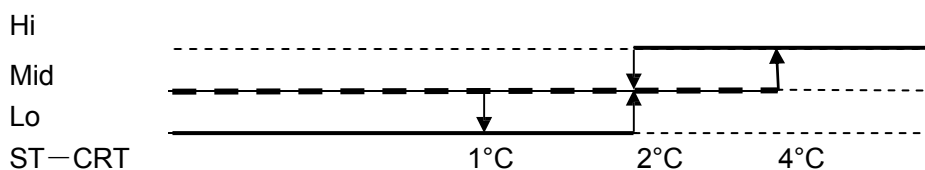


Figure 2 Heat automatic airflow

When the temperature changing leads the fan speed variation, the switch can only be made orderly, and every grade of air flow speed should run 1 minute at least.

- 4) Vane motor control: run as set state.
- 5) 4-way valve control:
 - a. Under heating mode, the four-way valve maintains well-connected status (including the compressor stops on set condition, except for the defrosting process)
 - b. When the mode switches into the heating mode or A/C start-up, four-way valves will open 5 Seconds before the compressor starts; while the mode exits from the heating mode or A/C turn off, the four-way valve will close 2min later after shut-down the compressor.

6) Defrosting function:

During defrosting, once mode changing, economic operation or temperature setting signals received, the buzzer and display will make response immediately, but the other operations won't implement until defrosting finished;

During defrosting, the signals of On-Off, Timing, Sleep, Fan speed and/or Swing can respond, but the Fan speed and/or Swing should be in accordance with operation for Cold Air Prevention.

Except the above signal processing during defrosting, no other signals will deal with, only a voice of buzz for response.

During defrosting, electrical heating (*optional function*) stops compulsively.

Defrosting Enter and Exit program:

Option 1: with jumper JC

The condition of enter defrosting: run into defrosting once any of condition 1, 2, and/or 3 met.

Condition 1: As shown in figure 3

Definition:

The following conditions a, b and c all required to meet:

- $IPT1$ settles for $IPT1 = IPT_{max} - \Delta IPT$
- $t_5 \geq 50\text{min}$ (running time $t_5 \geq 50\text{min}$ (the compressor runs cumulatively) ≥ 5 is removable, and could be less than t_1)
- $IPT < 40^\circ\text{C}$, and lasts 2min.

Running into defrosting on condition 1, the first running time of set defrosting is F (8min); after running a defrosting cycle, the defrosting time should be determined and adjusted.

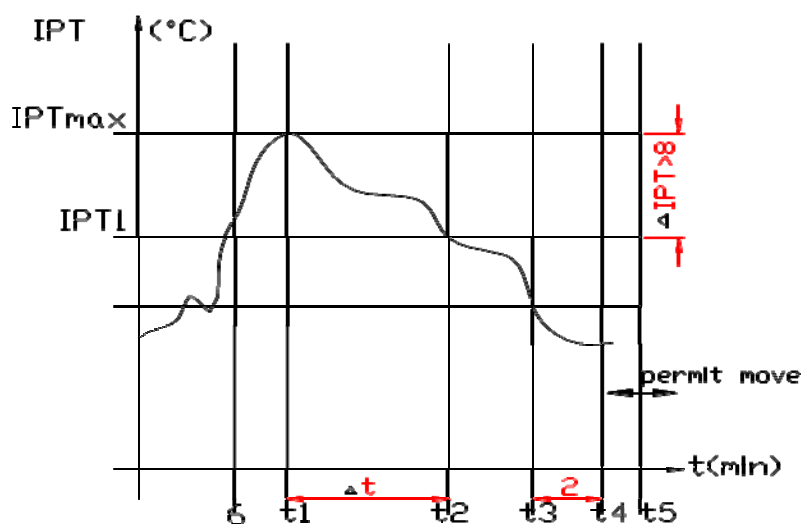


Figure 3

Condition 2: When running time is more than or equal to 120 min (compressor is running accumulatively), the indoor temperature is less than 35°C for 2 min sustained. Running into defrosting under condition 2, defrosting time set is 8 min.

Condition 3: After the compressor is operating for 20min continuously, the indoor pipe temperature is less than 23°C (cold air prevention wind temperature) when the fan stops running (including temperature dropping when compressor operating, not including the compressor's starting up course), and the machine runs into defrosting according to any one condition as below.

Running into defrosting under condition 3, defrosting time set is 10 min.

- a) Running into the first defrosting in 20 min after start-up.
- b) The interval from last defrosting equivalent to or more than 50 min (stopping the compressor or the machine in standby is allowed in the meantime).

Option 2: Without Jumper JC, and no OPT outdoor sensor

when the compressor runs for 45 min (accumulated), if the indoor coil temperature is less than 40°C for 2 min, the machine runs into defrosting, and lasts for 3min, otherwise when the compressor runs for 120 min (accumulated), the machine runs into defrosting automatically and last for 10 min.

Option 3: Without jumper JC, but with OPT outdoor sensor

While heating, when the temperature of condenser is lower than E °C (-4°C), and the compressor runs for 45 min (accumulated), then the machine runs into defrosting and lasts for 10 min.

Option 4. On heating, while the outdoor fan motor stopped but the compressor operated accumulative totally 30min, then the machine runs into defrosting and last for 8 min. if the accumulative totally less than 30min, but accord with one of the condition option 1-3 then the machine runs into defrosting at the option 1-3 and the accumulative total time restarts from 0.

Conditions for quitting defrosting

(1) The quitting conditions for option 1, option 2 and 4, the machine quits from defrosting if any one below condition met.

- a. Defrosting time is over.
- b. When it runs in defrosting for three minutes, the IPT indoor coil temperature rises 15°C or above from the bottom point.

(2) The quitting conditions for option 3.

When OPT ≥ 20°C or defrosting for more than 10 min, then quit from defrosting.

(3) Defrosting process shown in Figure 4

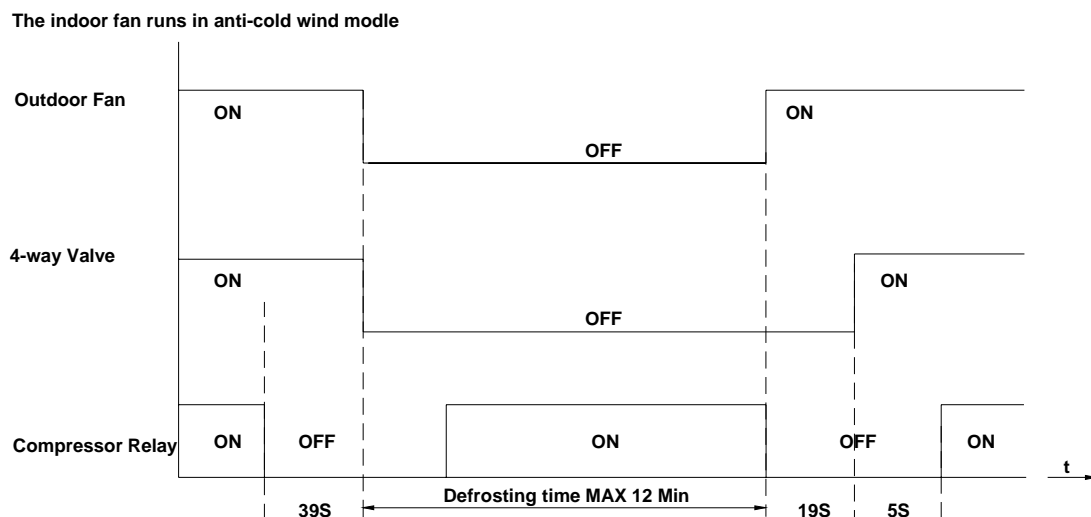


Figure 4 Defrosting process

7) Auxiliary electric heating function (optional)

(1) The default condition is automatic on/off the electric heating function.

(2) The conditions of auxiliary electric heating works (all the following conditions must be met)

- a. the compressor runs for more than 3min;
- b. indoor fan runs normally;
- c. not in defrosting state;

- d. auxiliary electric heating is turned off for more than 30s.
- e. $ST-RT \geq 0^{\circ}\text{C}$;
- f. $RT < 25^{\circ}\text{C}$;
- g. $IPT \leq 43^{\circ}\text{C}$;

(3) The conditions of stopping auxiliary electric heating (any one of the following conditions met, the state stops)

- a. the compressor stops
- b. $RT \geq 27^{\circ}\text{C}$;
- c. $IPT \geq 50^{\circ}\text{C}$
- d. indoor fan stops.
- e. running into sleeping function

5. Fan mode

- 1) Indoor fan motor is running at setting speed (the speed same as heating mode).
- 2) Vane motor control: running according to the setting condition.
- 3) The outdoor unit doesn't work under fan mode.

6. Sleeping mode

1) Under sleep mode, the indoor fan motor running at low speed, except the power light and sleep light are ON, timer lights ON/OFF according to the setting state, running light OFF. LED will be OFF after displaying 30S.

2) Temperature control:

(1) While changing from Cool mode to Sleep mode, one hour later, the operation Temp. = $ST + 1^{\circ}\text{C}$, another one hour later, the operation Temp. = $ST + 2^{\circ}\text{C}$, after then the temperature has no changed anymore.

(2) When changing from Heating mode to Sleep mode, one hour later, the operation Temp. = $ST - 1^{\circ}\text{C}$, another one hour later, the operation Temp. = $ST - 2^{\circ}\text{C}$, after then no changed anymore.

3) The machine will automatically shut up after running 10 hours under sleep mode.

When Timer ON and Sleep mode are implemented at the same time, the Sleep mode can not be functioned.

7. Timer function

The timer can preset between 10min to 24h, when the time set less than "10" hours, the displayed time shown by 0.5 hour as the unit, when the time set more than or equal to "10" hours, the displayed time shown by 1 hour as the unit.

8. Emergency switch (ON/OFF)

1) When stand-by, to operate by pressing the emergency switch as follows:

Press the emergency switch within 3 seconds, release emergency switch while the buzzer rings once, the machine goes into Cooling mode. If the buzzer rings twice while release emergency switch, Heating mode is selected. To press the Emergency switch while A/C is on, the buzzer rings once and then A/C will shut down.

2) The machine runs mandatorily as selected mode within 30min when Emergency operated, meanwhile indoor fan motor runs in high-speed, and stepping vane swinging as well. 30min later the A/C goes into automatic mode under the same operation manner, the set temperature to be 23°C , and the rotate speed of indoor fan motor automatic control, stepping vane swinging all the way.

3) To press the emergency button when the A/C goes on operation, then the machine runs into stand-by.

4) Under emergency operation, the function of compressor's time-delay protection, Anti-frosting protection in cooling mode, Overheating protection in heating mode, sensor fault protection and defrost operate are effective.

5) Under emergency operation, once effective signal from remote controller received, the A/C exits form of emergency mode without delay, and operates according to the setting value from remote controller immediately.

9. Auto-restart function

1) The PCB retains the setting parameters in case of power off. When the power supply is resumed, the machine, which has been started up the power-off memory function, is able to restore into the original running state automatically.

To press the emergency button and power on the unit, and hold on for 10 seconds, The buzzer

2) will ring **three times**, after this operation, the auto restart function activated.

3) To close auto restart function while it is activated, repeat process as above 2), the buzzer will ring four times.

10. Protection / Failure code

10.1 Protection

1) Compressor's protection:

a. The PCB which with Auto-restart function, once it is activated, the compressor goes along 3min delay protection when power on, otherwise the compressor without this protection even when the PCB is power-on.

b. The compressor's 3 min interval protection: the compressor can't start-up until it stops 3 min later. (*except for the defrosting process*).

c. . After the compressor started, it's operation state remains the same within 3 min even when ST, RT variation.

2) Anti-frosting protection of indoor evaporator (Cooling mode):

If $IPT \leq 0^{\circ}\text{C}$ detected in consecutive 3 min, compressor and outdoor fan motor to be stopped operation, indoor fan motor runs at high-speed forcibly; if $IPT \geq 5^{\circ}\text{C}$ detected 3min later, then outdoor fan motor and compressor will start up, and indoor fan motor restores to it's original state.

3) Overheating protection (Heating mode):

If $IPT \geq 55^{\circ}\text{C}$, the outdoor fan motor: OFF.

If $IPT \geq 65^{\circ}\text{C}$, the compressor: OFF, and indoor fan motor runs at high-speed forcibly.

When $IPT \leq 48^{\circ}\text{C}$, the outdoor fan motor and the compressor start up, indoor fan motor restores to it's original state.

4) Cold air prevention (Heating mode):

This function is intend to prevent cold air from being discharged when the heating operation starts or when defrosting.

a. When running into the heating mode, once the compressor fails to comply with the start-up conditions, the fan speed is regulated according to the coil temperature within 2 min, 2 min later the indoor fan motor stops. If the compressor starts up within 2 min, then operating according to Figure 5.

Under heating process, while the compressor stop (including stopping for protection), the fan motor's operation (including stopping the indoor fan motor) is regulated according to the coil temperature within 1min, 1min later the fan will be stopped forcibly.

b. When the indoor fan motor running at a low-speed under cold air prevention operation, once auxiliary electric heating works, the vane immediately withdraws from the cold air prevention location and turn back to normal vane angle. While auxiliary electric heating stops, indoor fan motor goes on to run at low-speed accordingly, the vane turns to cold air prevention location

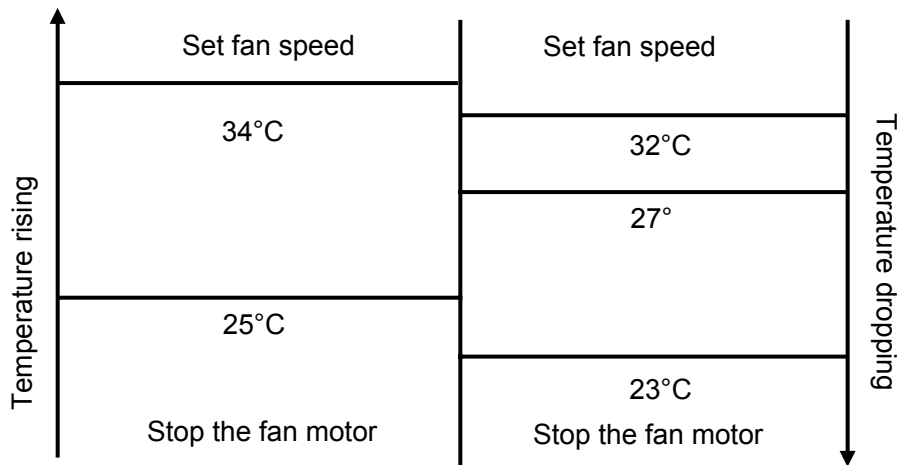


Figure 5 Cold air prevention

10.2 Failure code

The following table shows the fault protections.

When failures happens, the PCB alarms and buzzer rings three times, Failure code shows on display board, and the PCB operates protection procedures.

Failure code: For the machine with LED display (**88**), the code shows on LED, for machine without LED, the code reflects by the running light.

Failure	Running Light Flash	LED Display (88)
RT Sensor Failure	Once / cycle	E1
IPT Sensor Failure	Twice / cycle	E2
Indoor Fan Motor Failure	6 times / cycle	E6

While failure happens, the code displayed statically, if there are several failure codes reported at the same time, then failure codes appears by turns every eight seconds correspondingly.

a. Sensor's failure protection: when the sensor tested temperature out of the range --- $50^{\circ}\text{C} \leq T \leq 110^{\circ}\text{C}$, sensor failure is determined.

Once RT and/or IPT sensor failure appears, the compressor stops, and indoor and outdoor fan motors shut off. Remote controller doesn't response to any signal except for shutdown. During failure the machine can run in fan mode. After the failure is settled, the PCB restores to standby status.

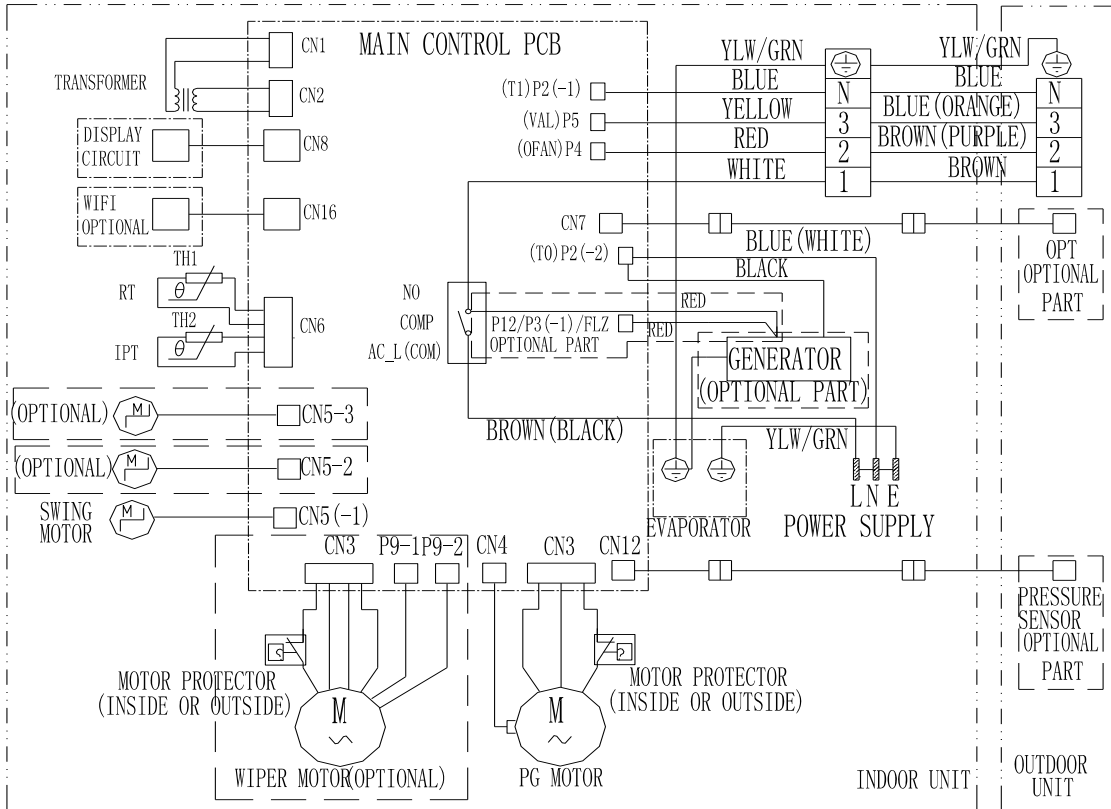
b. Failure protection of Indoor PG fan motor: If there is no feedback signal of rotated speed within 5s, the indoor fan motor stops, meanwhile, the compressor, outdoor fan motor, four-way valve and/or auxiliary electric heater etc. also cut down.

The indoor fan motor restarts again 10 seconds later, if still there is no feedback signal of rotated speed within 5 seconds, the A/C stops and goes into indoor fan motor failure protection, buzzer rings three times, and running light flashes at 6 times per 8 seconds. Once there is feedback signal while the failure recovery, the failure will relieve automatically.

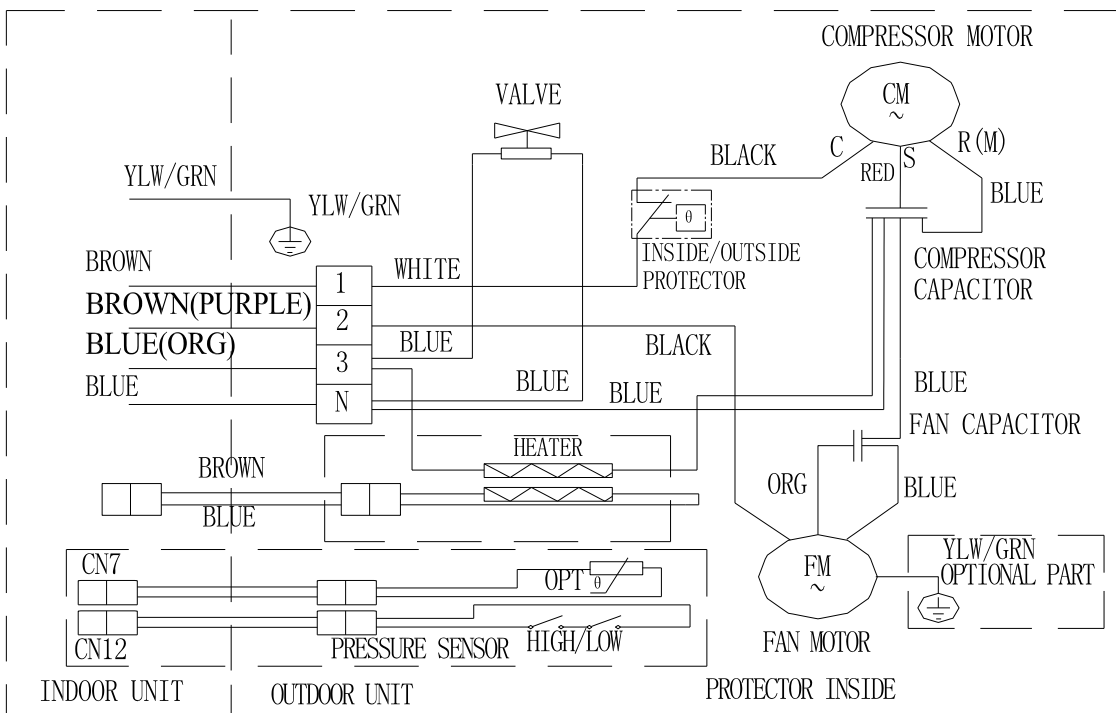
5. WIRING DIAGRAM

MODEL: TAC-07HRA/E1/TACO-07HRA/E1, TAC-09HRA/E1/TACO-09HRA/E1,
 TAC-12HRA/E1/TACO-12HRA/E1, TAC-18HRA/E1/TACO-18HRA/E1,
 TAC-24HRA/E1/TACO-24HRA/E1, TAC-09HRA/ES/TACO-09HRA/ES
 TAC-12HRA/ES/TACO-12HRA/ES, TAC-09HRA/EW/TACO-09HRA/EW
 TAC-12HRA/EW/TACO-09HRA/EW, TAC-18HRA/EW/TACO-09HRA/EW

INDOOR UNIT:

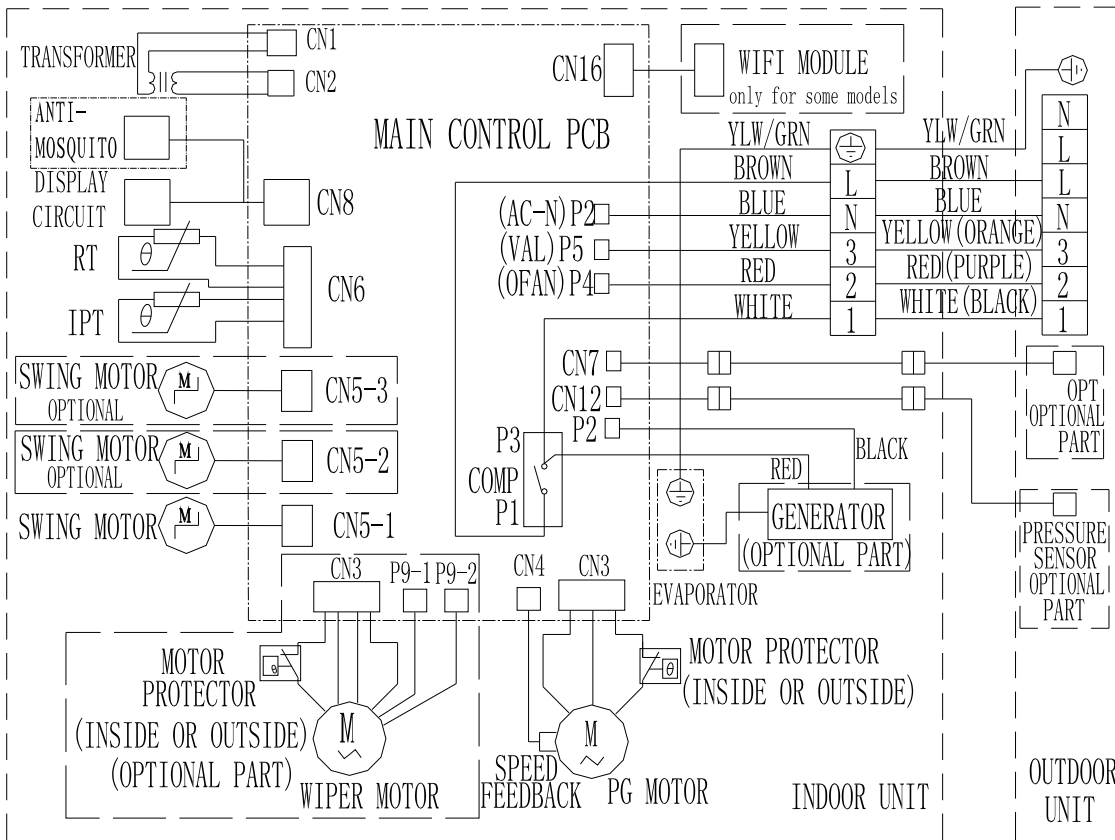


OUTDOOR UNIT

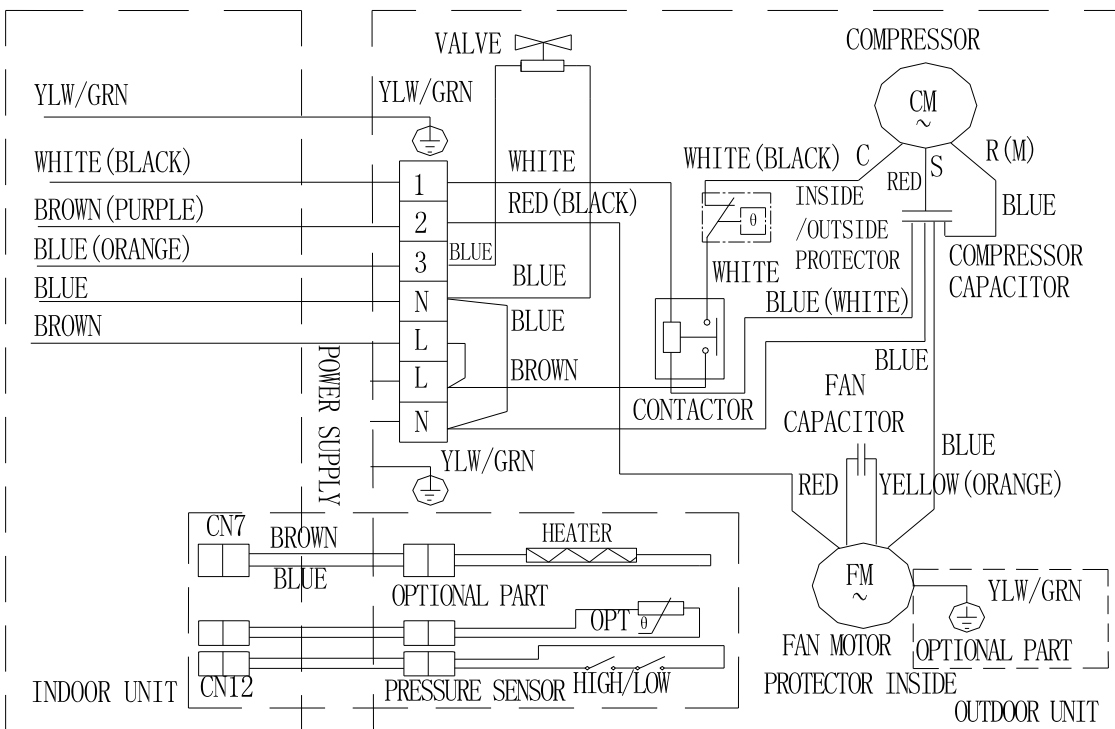


MODEL: TAC-28HRA/E1/TACO-28HRA/E1

INDOOR UNIT:

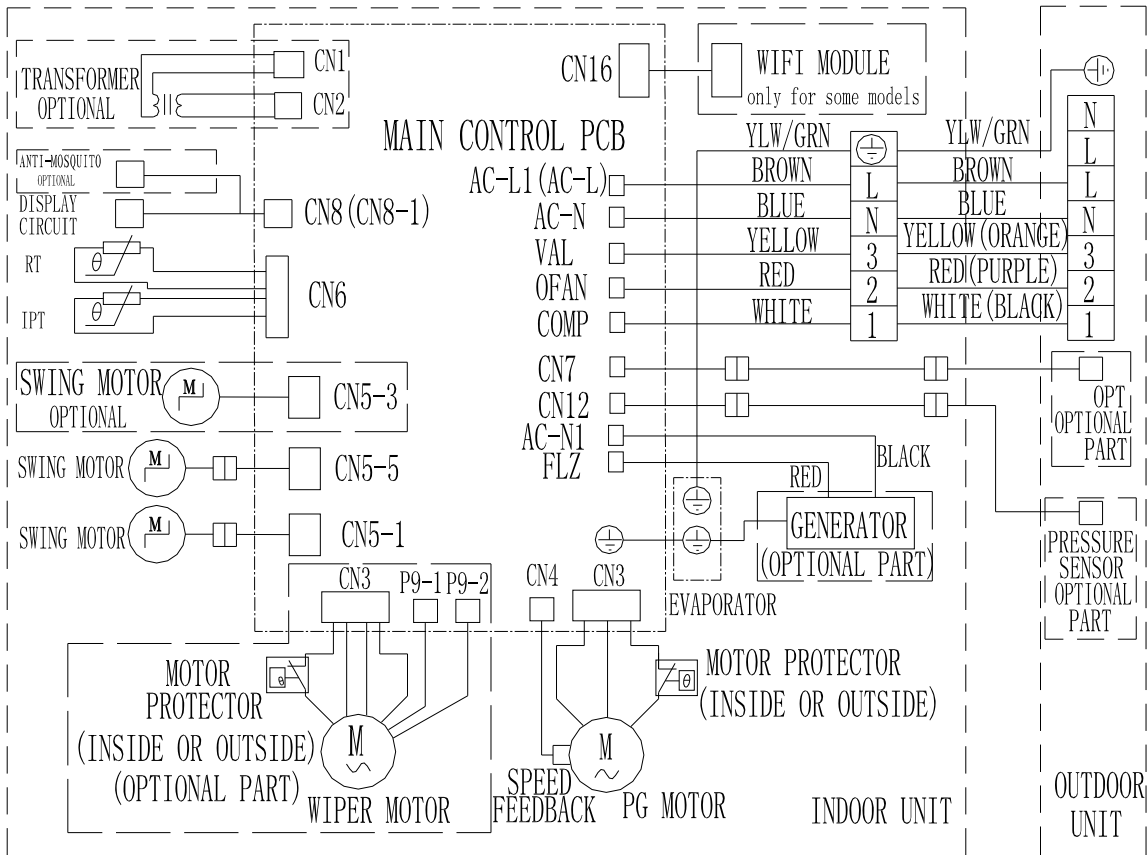


OUTDOOR UNIT

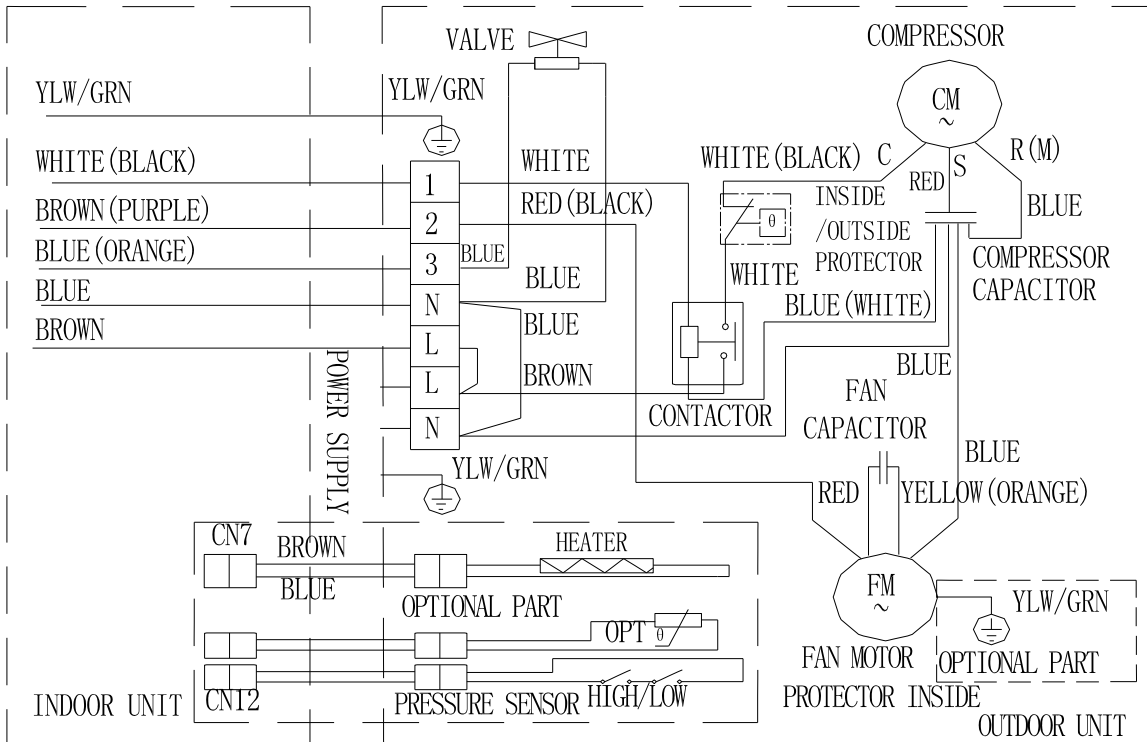


MODEL: TAC-36HRAWE/TACO-36HAWE

INDOOR UNIT:



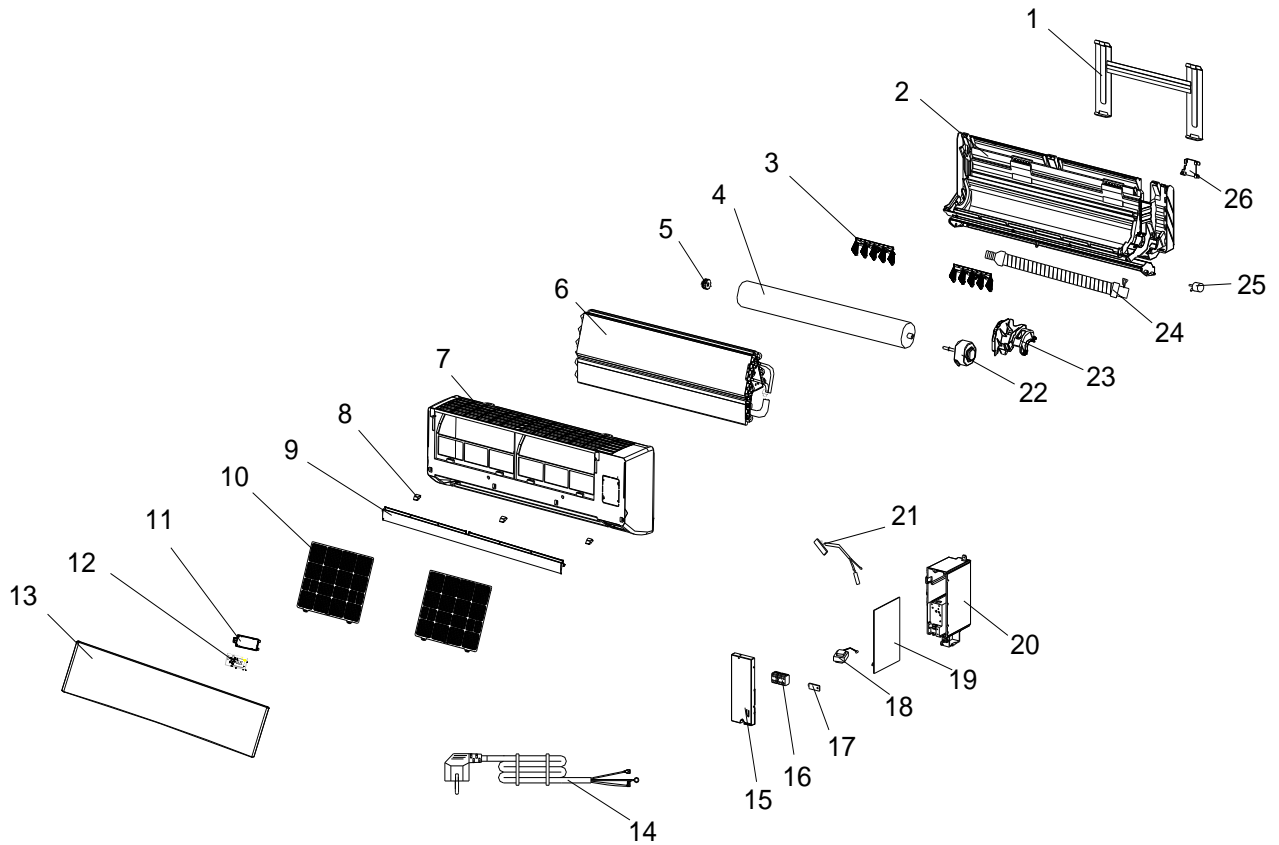
OUTDOOR UNIT



6. Explosion view and parts

Mode: TAC-07HRA/E1, TAC-09HRA/E1, TAC-12HRA/E1, TAC-18HRA/E1, TAC-24HRA/E1
TAC-09HRA/ES, TAC-12HRA/ES

INDOOR UNIT:



PARTS LIST

Indoor unit: TAC-07HRA/E1

No.	Part No.	Part Name	Q'ty	Remark
1	1080030003	Installation Plate	1	
2	210738121	Base	1	
3	210738389	Vertical Vane Assembly	2	
4	210738131	Cross Fan	1	
5	1070100010	Bearing Mount	1	
6	211238000	Evaporator	1	
7	210738120	Face Frame	1	
8	210701846	Screw Cover	2	
9	210738127	Vane	1	
10	210738433	Air Filter	2	
11	210705767	Display PCB Box	1	
12	210901127S	Display PCB	1	
13	210746847B	Front Panel	1	
14	1170120044	Power Supply Cord	1	
15	210738393	Electrical Box Cover	1	
16	210900478A	Terminal	1	
17	210736832	Cable Clamp	1	
18	210901224	Transformer	1	
19	210901617N	Main PCB	1	
20	210736831	Electrical Box	1	
21	210900333	Indoor Sensor Assembly	1	
22	1170030047F	Indoor Motor	1	
23	210737653	Indoor Motor Cover	1	
24	210737091	Drainage Hose	1	
25	1170020011	Vane Motor	1	
26	210736813	In And Out Pipe Fixer	1	
27	210900414NS	Remote Controller	1	Not shown in Explosion view
28	211368832G	Indoor Carton	1	
29	211370972	Left Foaming	1	
30	211370975	Right Foaming	1	

Indoor unit: TAC-09HRA/E1

No.	Part No.	Part Name	Q'ty	Remark
1	1080030003	Installation Plate	1	
2	210738121	Base	1	
3	210738389	Vertical Vane Assembly	2	
4	210738131	Cross Fan	1	
5	1070100010	Bearing Mount	1	
6	211238000	Evaporator	1	
7	210738120	Face Frame	1	
8	210701846	Screw Cover	2	
14	210738127	Vane	1	
9	210738433	Air Filter	2	
10	210705767	Display PCB Box	1	
11	210901127S	Display PCB	1	
12	210746847B	Front Panel	1	
13	1170120044	Power Supply Cord	1	
15	210738393	Electrical Box Cover	1	
16	210900478A	Terminal	1	
16	210736832	Cable Clamp	1	
22	210901224	Transformer	1	
17	210901617N	Main PCB	1	
18	210736831	Electrical Box	1	
23	210900333	Indoor Sensor Assembly	1	
20	1170030047F	Indoor Motor	1	
21	210737653	Indoor Motor Cover	1	
15	210737091	Drainage Hose	1	
19	1170020011	Vane Motor	1	
24	210736813	In And Out Pipe Fixer	1	
25	210900414NS	Remote Controller	1	Not shown in Explosion view
26	211368832G	Indoor Carton	1	
27	211370972	Left Foaming	1	
28	211370975	Right Foaming	1	

Indoor unit: TAC-12HRA/E1

No.	Part No.	Part Name	Q'ty	Remark
1	1080030003	Installation Plate	1	
2	210737656	Base	1	
3	210701880	Vertical Vane Assembly	2	
4	210737655	Cross Fan	1	
5	1070100010	Bearing Mount	1	
6	211238554	Evaporator	1	
7	210737662	Face Frame	1	
8	210701846	Screw Cover	2	
9	210737652	Vane	1	
10	210701863	Air Filter	2	
11	210705767	Display PCB Box	1	
12	210901127S	Display PCB	1	
13	210746792C	Front Panel	1	
14	1170120045	Power Supply Cord	1	
15	210737654	Electrical Box Cover	1	
16	210900376	Terminal	1	
17	210736832	Cable Clamp	1	
18	210901510	Transformer	1	
19	210901526AN	Main PCB	1	
20	210736831	Electrical Box	1	
21	210900333	Indoor Sensor Assembly	1	
22	1170030047F	Indoor Motor	1	
23	210737653	Indoor Motor Cover	1	
24	210737091	Drainage Hose	1	
25	1170020011	Vane Motor	1	
26	210736813	In And Out Pipe Fixer	1	
27	210900414NS	Remote Controller	1	Not shown in Explosion view
28	211367422CQ	Indoor Carton	1	
29	211367583	Left Foaming	1	
30	211367584	Right Foaming	1	

Indoor unit: TAC-18HRA/E1

No.	Part No.	Part Name	Q'ty	Remark
1	1080030021	Installation Plate	1	
2	210738678	Base	1	
3	210738575	Vertical Vane Assembly	2	
4	1070020024AA	Cross Fan	1	
5	1070100010	Bearing Mount	1	
6	211237947	Evaporator	1	
7	210738663	Face Frame	1	
8	210701846	Screw Cover	2	
9	210738661	Vane	1	
10	210738606	Air Filter	2	
11	210705767	Display PCB Box	1	
12	210901127S	Display PCB	1	
13	210746767C	Front Panel	1	
14	1170120045	Power Supply Cord	1	
15	210738393	Electrical Box Cover	1	
16	210900376	Terminal	1	
17	210736832	Cable Clamp	1	
18	210901224	Transformer	1	
19	210901617T	Main PCB	1	
20	210736831	Electrical Box	1	
21	210900333	Indoor Sensor Assembly	1	
22	1170030067J	Indoor Motor	1	
23	210738581	Indoor Motor Cover	1	
24	210737091	Drainage Hose	1	
25	1170020031AC	Vane Motor	1	
26	210736813	In And Out Pipe Fixer	1	
27	210900414NS	Remote Controller	1	Not shown in Explosion view
28	211370750N	Indoor Carton	1	
29	211370968	Left Foaming	1	
30	211370969	Right Foaming	1	

Indoor unit: TAC-24HRA/E1

No.	Part No.	Part Name	Q'ty	Remark
1	1080030021	Installation Plate	1	
2	210738660	Base	1	
3	210738575	Vertical Vane Assembly	2	
4	1070020042AA	Cross Fan	1	
5	1070100010	Bearing Mount	1	
6	211238333	Evaporator	1	
7	210738663	Face Frame	1	
8	210701846	Screw Cover	2	
9	210738661	Vane	1	
10	210738606	Air Filter	2	
11	210705767	Display PCB Box	1	
12	210901127S	Display PCB	1	
13	210746767C	Front Panel	1	
14	1170120045	Power Supply Cord	1	
15	210738393	Electrical Box Cover	1	
16	210900376	Terminal	1	
17	210736832	Cable Clamp	1	
18	210901224	Transformer	1	
19	210901617AJ	Main PCB	1	
20	210736831	Electrical Box	1	
21	210900333	Indoor Sensor Assembly	1	
22	1170030101B	Indoor Motor	1	
23	210738581	Indoor Motor Cover	1	
24	210737091	Drainage Hose	1	
25	1170020031AC	Vane Motor	1	
26	210736813	In And Out Pipe Fixer	1	
27	210900414NS	Remote Controller	1	Not shown in Explosion view
28	211370750N	Indoor Carton	1	
29	211370968	Left Foaming	1	
30	211370969	Right Foaming	1	

Indoor unit: TAC-09HRA/ES

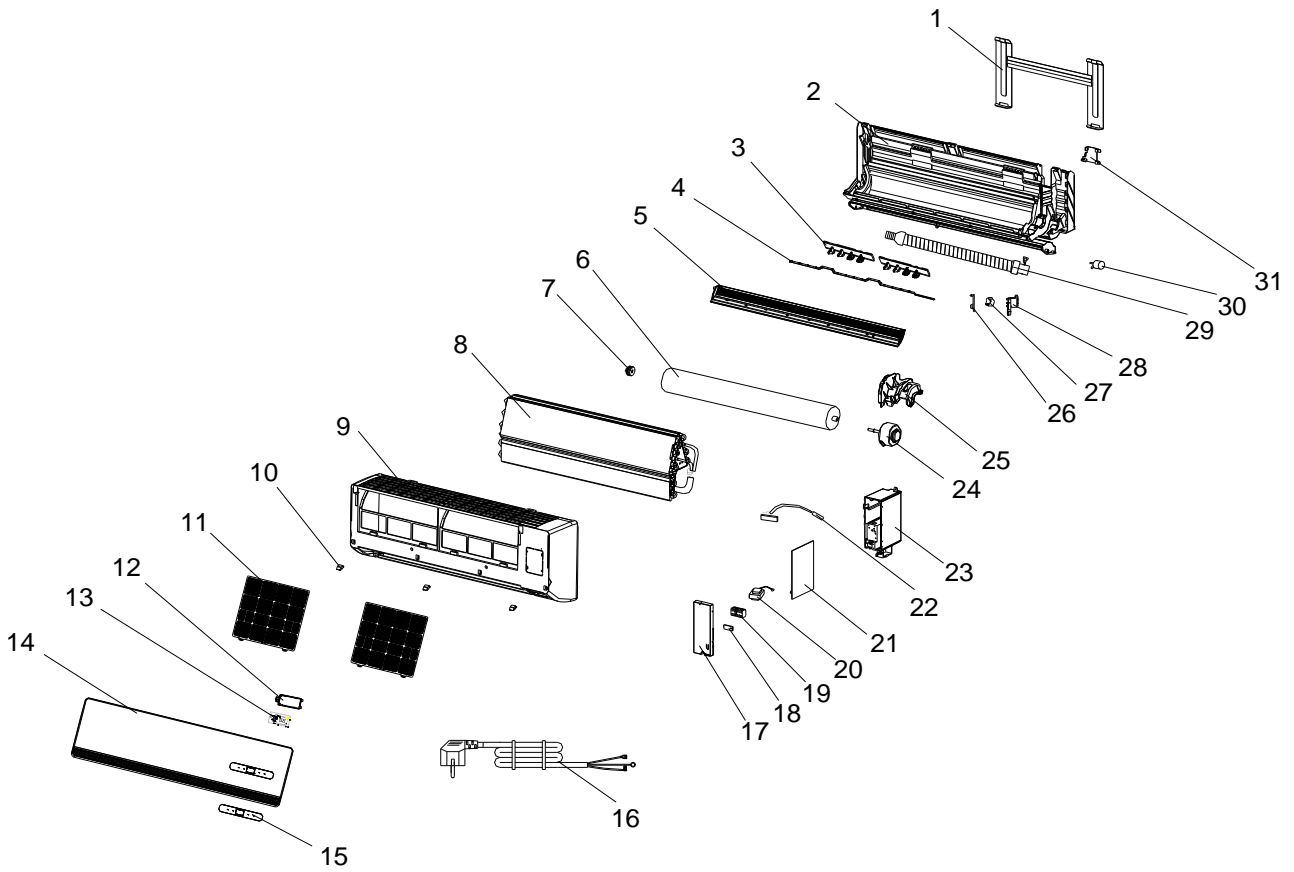
No.	Part No.	Part Name	Q'ty	Remark
1	1080030003	Installation Plate	1	
2	210738121A	Base	1	
3	210738389	Vertical Vane Assembly	2	
4	210738131	Cross Fan	1	
5	1070100010	Bearing Mount	1	
6	211238000	Evaporator	1	
7	210738120A	Face Frame	1	
8	210701846Y	Screw Cover	2	
14	210738127A	Vane	1	
9	210738433	Air Filter	2	
10	210705767	Display PCB Box	1	
11	210901127S	Display PCB	1	
12	210739720B	Front Panel	1	
13	1170120044	Power Supply Cord	1	
15	210738393	Electrical Box Cover	1	
16	210900478A	Terminal	1	
16	210736832	Cable Clamp	1	
22	210901224	Transformer	1	
17	210901617N	Main PCB	1	
18	210736831	Electrical Box	1	
23	210900333	Indoor Sensor Assembly	1	
20	1170030047F	Indoor Motor	1	
21	210737653	Indoor Motor Cover	1	
15	210737091	Drainage Hose	1	
19	1170020011	Vane Motor	1	
24	210736813	In And Out Pipe Fixer	1	
25	210900414A	Remote Controller	1	Not shown in Explosion view
26	211368832G	Indoor Carton	1	
27	211370972	Left Foaming	1	
28	211370975	Right Foaming	1	

Indoor unit: TAC-12HRA/ES

No.	Part No.	Part Name	Q'ty	Remark
1	1080030003	Installation Plate	1	
2	210738411F	Base	1	
3	210701880	Vertical Vane Assembly	2	
4	210737655	Cross Fan	1	
5	1070100010	Bearing Mount	1	
6	211238554	Evaporator	1	
7	210737662C	Face Frame	1	
8	210701846Y	Screw Cover	2	
9	210737652B	Vane	1	
10	210701863	Air Filter	2	
11	210705767	Display PCB Box	1	
12	210901127S	Display PCB	1	
13	210739715D	Front Panel	1	
14	1170120045	Power Supply Cord	1	
15	210737654	Electrical Box Cover	1	
16	210900376	Terminal	1	
17	210736832	Cable Clamp	1	
18	210901510	Transformer	1	
19	210901526AN	Main PCB	1	
20	210736831	Electrical Box	1	
21	210900333	Indoor Sensor Assembly	1	
22	1170030047F	Indoor Motor	1	
23	210737653	Indoor Motor Cover	1	
24	210737091	Drainage Hose	1	
25	1170020011	Vane Motor	1	
26	210736813	In And Out Pipe Fixer	1	
27	210900414A	Remote Controller	1	Not shown in Explosion view
28	211367422CQ	Indoor Carton	1	
29	211367583	Left Foaming	1	
30	211367584	Right Foaming	1	

Mode: TAC-07HRA/EW, TAC-09HRA/EW, TAC-12HRA/EW, TAC-18HRA/EW

INDOOR UNIT:



Indoor unit: TAC-07HRA/EW, TAC-09HRA/EW

No.	Part No.	Part Name	Q'ty	Remark
1	1080030003	Installation Plate	1	
2	210738613A	Base	1	
3	210738389	Vertical Vane Assembly	2	
4	210738432	Vertical Vane Connector	1	
5	210738127	Vane	1	
6	210738131	Cross Fan	1	
7	1070100010	Bearing Mount	1	
8	211238000	Evaporator	1	
9	210738120	Face Frame	1	
10	210701846	Screw Cover	2	
11	210701863	Air Filter	2	
12	210738394	Display PCB Box	1	
13	1090250119AM	Display PCB	1	
14	210738430A	Front Panel	1	
15	210738624A	Display PCB Cover	1	
16	1170120044	Power Supply Cord	1	
17	210738393	Electrical Box Cover	1	
18	210736832	Cable Clamp	1	
19	210900376	Terminal	1	
20	210901224	Transformer	1	
21	210901617N	Main PCB	1	
22	210736831	Electrical Box	1	
23	210900333	Indoor Sensor Assembly	1	
24	1170030047F	Indoor Motor	1	
25	210737653	Indoor Motor Cover	1	
26	210701902	Step Motor connector	1	
27	210900129	Step Motor	1	
28	210701906	Step Motor Supporter	1	
29	210737091	Drainage Hose	1	
30	1170020011	Vane Motor	1	
31	210736813	In And Out Pipe Fixer	1	
32	210901521B	Remote Controller	1	Not shown in Explosion view
33	211368832G	Indoor Carton	1	
34	211368514	Left Foaming	1	
35	211368516	Right Foaming	1	

Indoor unit: TAC-12HRA/EW

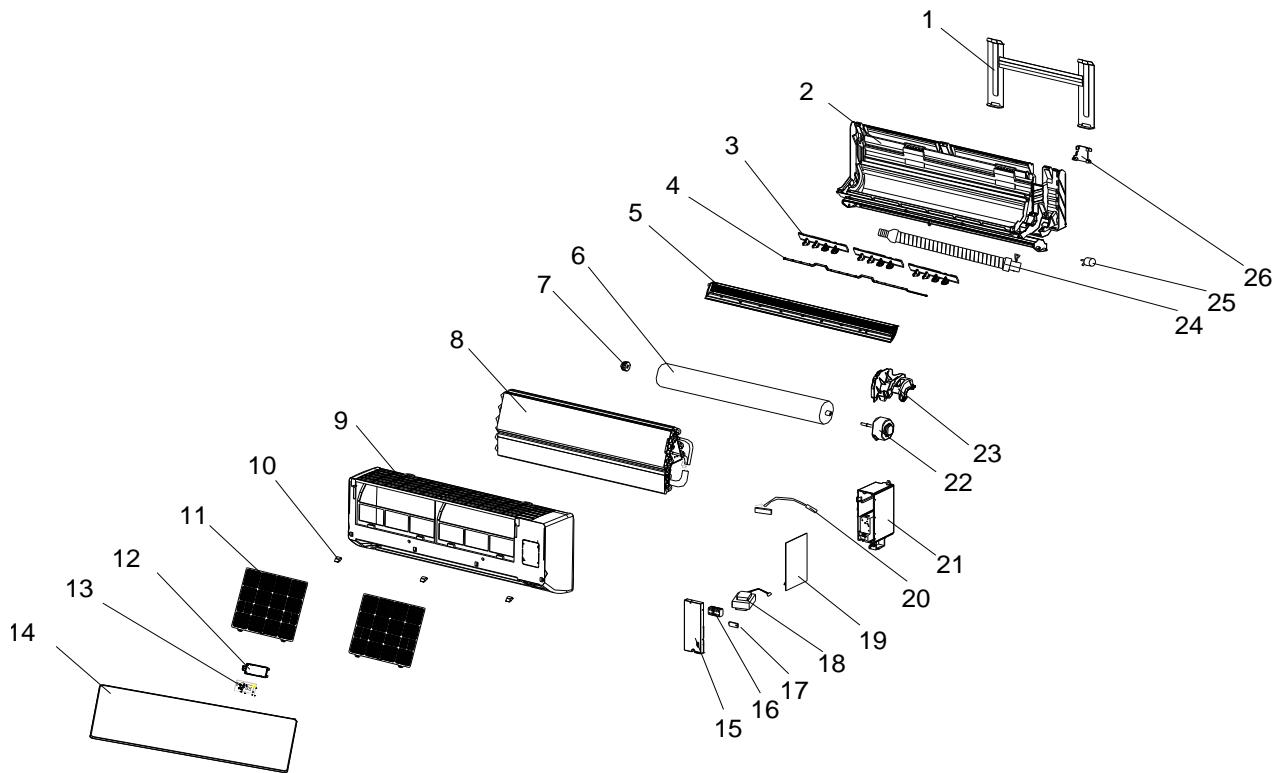
No.	Part No.	Part Name	Q'ty	Remark
1	1080030003	Installation Plate	1	
2	210738411D	Base	1	
3	210701883	Vertical Vane Assembly	2	
4	210701903	Vertical Vane Connector	1	
5	210737652	Vane	1	
6	210737655	Cross Fan	1	
7	1070100010	Bearing Mount	1	
8	211238554	Evaporator	1	
9	210737662	Face Frame	1	
10	210701846	Screw Cover	2	
11	210701863	Air Filter	2	
12	1070250120	Display PCB Box	1	
13	1090250119AQ	Display PCB	1	
14	210738177C	Front Panel	1	
15	210738208C	Display PCB Cover	1	
16	1170120045	Power Supply Cord	1	
17	210737654	Electrical Box Cover	1	
18	210736832	Cable Clamp	1	
19	210900376	Terminal	1	
20	210901224	Transformer	1	
21	210901617AS	Main PCB	1	
22	210736831	Electrical Box	1	
23	210900333	Indoor Sensor Assembly	1	
24	1170030047F	Indoor Motor	1	
25	210737653	Indoor Motor Cover	1	
26	210701902	Step Motor connector	1	
27	210900129	Step Motor	1	
28	210701906	Step Motor Supporter	1	
29	210737091	Drainage Hose	1	
30	1170020011	Vane Motor	1	
31	210736813	In And Out Pipe Fixer	1	
32	210901521B	Remote Controller	1	Not shown in Explosion view
33	211367422CQ	Indoor Carton	1	
34	211368167	Left Foaming	1	
35	211368168	Right Foaming	1	

Indoor unit: TAC-18HRA/EW

No.	Part No.	Part Name	Q'ty	Remark
1	1080030021	Installation Plate	1	
2	210738660	Base	1	
3	210738575	Vertical Vane Assembly	2	
4	210738582	Vertical Vane Connector	1	
5	210738574	Vane	1	
6	1070020024AA	Cross Fan	1	
7	1070100010	Bearing Mount	1	
8	211237947	Evaporator	1	
9	210738663	Face Frame	1	
10	210701846	Screw Cover	2	
11	210738606	Air Filter	2	
12	210738394	Display PCB Box	1	
13	1090250119AM	Display PCB	1	
14	210738571A	Front Panel	1	
15	210738624A	Display PCB Cover	1	
16	210738393	Electrical Box Cover	1	
17	210736832	Cable Clamp	1	
18	210900376	Terminal	1	
19	210901224	Transformer	1	
20	210901617T	Main PCB	1	
21	210736831	Electrical Box	1	
22	1170030067J	Indoor Motor	1	
23	210738581	Indoor Motor Cover	1	
24	210701902	Step Motor connector	1	
25	210900129	Step Motor	1	
26	210701906	Step Motor Supporter	1	
27	210737091	Drainage Hose	1	
28	1170020031AC	Vane Motor	1	
29	210736813	In And Out Pipe Fixer	1	
30	210900333	Indoor Sensor Assembly	1	Not shown in Explosion view
31	210901521B	Remote Controller	1	
32	211369420AW	Indoor Carton	1	
33	211369459	Left Foaming	1	
34	211369460	Right Foaming	1	

Mode: TAC-28HRIA/E1

INDOOR UNIT:

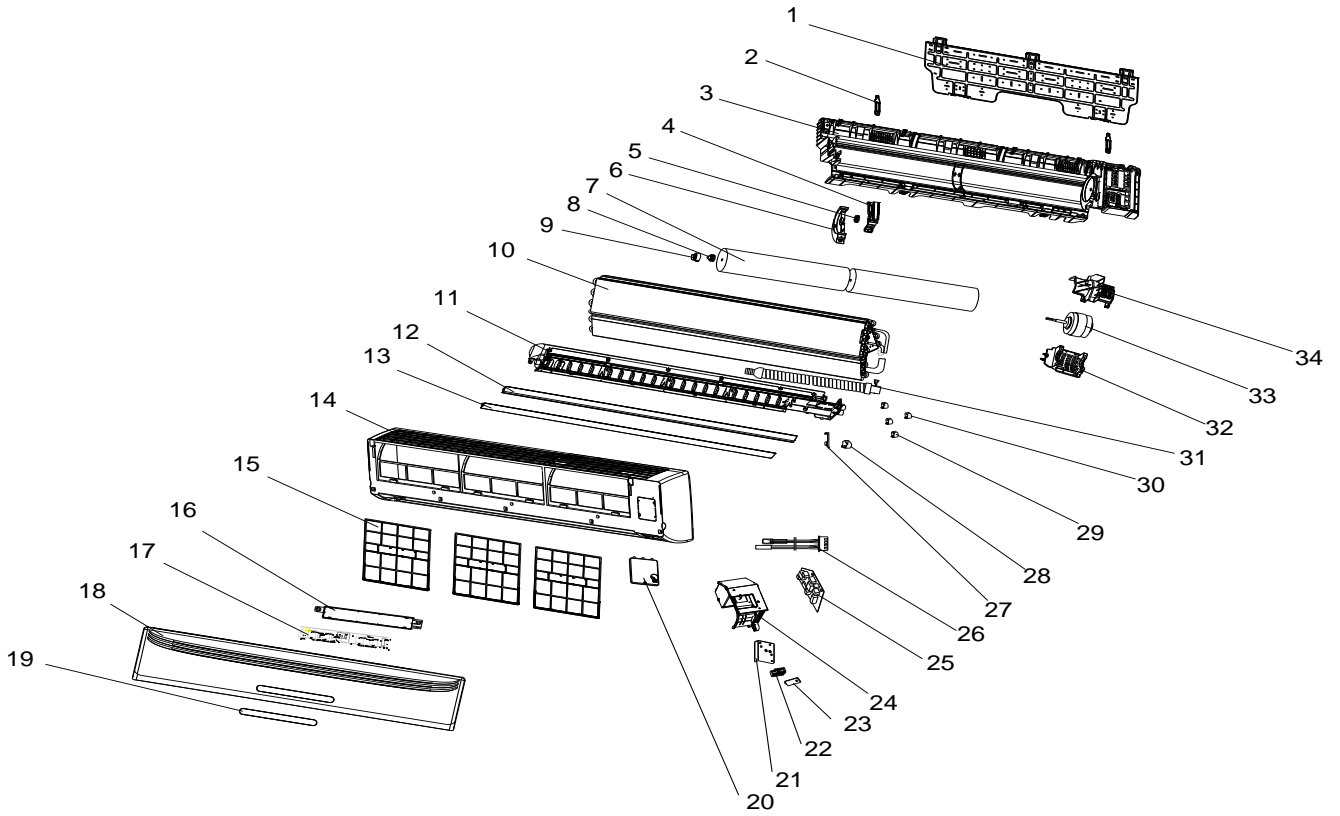


Indoor unit: TAC-28HRA/E1

No.	Part No.	Part Name	Q'ty	Remark
1	210836849	Installation Plate	1	
2	210738535A	Base	1	
3	210738389	Vertical Vane Assembly	3	
4	210738395	Vertical Vane Connector	1	
5	210738387	Vane	1	
6	210738396	Cross Fan	1	
7	1070100010	Bearing Mount	1	
8	211238060	Evaporator	1	
9	210738539	Face Frame	1	
10	210701846	Screw Cover	3	
11	210738391A	Air Filter	1	
12	210705767	Display PCB Box	1	
13	210901127S	Display PCB	1	
14	210746772B	Front Panel	1	
15	210738393	Electrical Box Cover	1	
16	210900380	Terminal	1	
17	210736912	Cable Clamp	1	
18	210901224	Transformer	1	
19	210901617Z	Main PCB	1	
20	210736831	Electrical Box	1	
21	210900333	Indoor Sensor Assembly	1	
22	210900087AH	Indoor Motor	1	
23	210738388	Indoor Motor Cover	1	
24	210737091	Drainage Hose	1	
25	1170020031AC	Vane Motor	1	
26	210736801	In And Out Pipe Fixer	1	
27	210900414NS	Remote Controller	1	Not shown in Explosion view
28	210708230	Remote Controller Supporter	1	
29	211371243J	Indoor Carton	1	
30	211370976	Left Foaming	1	
31	211370977	Right Foaming	1	

Mode: TAC-36HRAWE

INDOOR UNIT:

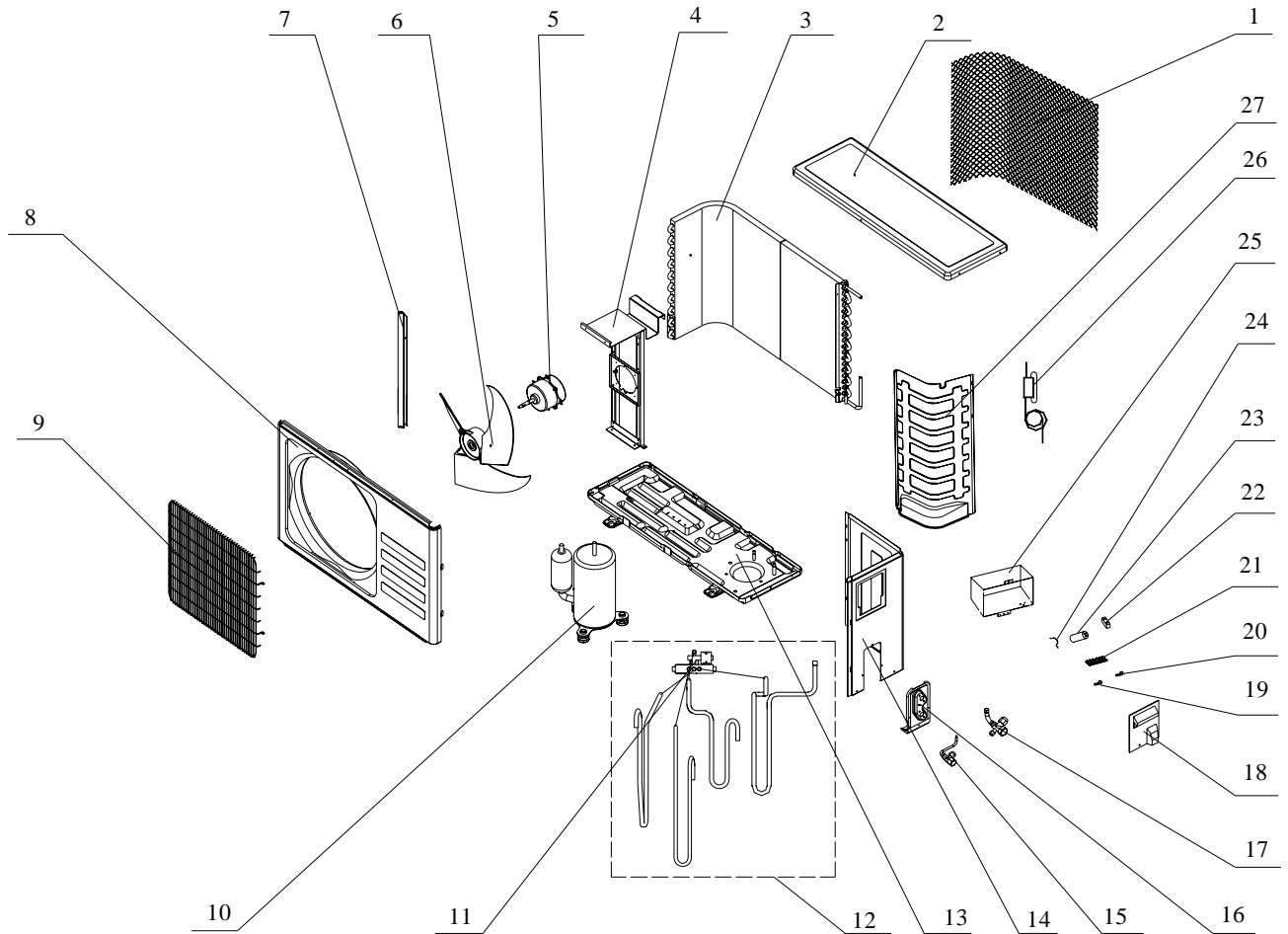


Indoor unit: TAC-36HRA/WE

No.	Part No.	Part Name	Q'ty	Remark
1	210826433	Installation Plate	1	
2	210826434	In And Out Pipe Fixer	2	
3	210735863	Base	1	
4	210735759	Cross Fan Supporter	1	
5	210735912	Middle Bearing Mount	1	
6	210735760	Cross Fan Supporter Cover	1	
7	210735861	Cross Fan1	1	
	210735862	Cross Fan2	1	
8	1070100010	Bearing Mount	1	
9	1070330006	Bearing Mount Supporter	1	
10	211231982	Evaporator	1	
11	210735864	Water Drainage Assembly	1	
12	210735762	Up Vane	1	
13	210735763	Down Vane	1	
14	210735870	Face Frame	1	
15	210735764	Air Filter	3	
16	1070252211	Display PCB Box	1	
17	210900913D	Display PCB	1	
18	210736370	Front Panel	1	
19	210736088	Display PCB	1	
20	210735782	Terminal Cover	1	
21	210800423	Terminal fixing board	1	
22	210900380	Terminal	1	
23	1070451081AB	Cable Clamp	1	
24	210703528	Electrical Box	1	
25	210901109	Main PCB	1	
26	210900333	Indoor Sensor Assembly	1	
27	210701933	Vertical Vane Connector	2	
28	210900522A	Step Motor	1	
29	210901111	Vane Motor1	1	
30	210901111A	Vane Motor2	1	
31	1070110012	Drainage Hose	1	
32	210735757	Indoor Motor Supporter	1	
33	210901130	Indoor Motor	1	
34	210735758	Indoor Motor Cover	1	
35	210900414A	Remote Controller	1	Not shown in Explosion view
36	210708230	Remote Controller Supporter	1	
37	211339061AZ	Indoor Carton	1	
38	211338999	Left Foaming	1	
39	211339001	Right Foaming	1	

MODEL: TACO-07HRA/E1,TACO-09HRA/E1,TACO-12HRA/E1,TACO-18HRA/E1,TACO-24HRA/E1
TACO-07HA/E2, TACO-09HA/E2, TACO-12HA/E2, TACO-18HA/E2

OUTDOOR UNIT:



Outdoor unit: TACO-07HRA/E1

No.	Part No.	Part Name	Q'ty	Remark
1	1071990038	Grille	1	Optional
2	1081990014	Top Cover	1	
3	211232279A	Condenser	1	
4	1081990018	Outdoor Motor Supporter	1	
5	1170040071	Outdoor Motor	1	
6	1070030006AA	Propeller Fan	1	
7	1081990011	Left Grille Supporter	1	
8	1081990016	Front Plate	1	
9	1070251929	Fan Guard	1	
10	1100110034	Compressor And It Accessories	1	
11	1120110016	4-way Valve	1	
12	211238951	4-way Valve Assembly	1	
13	210837829	Base	1	
14	1081990012	Right Plate	1	
15	211236491	Two-way Valve	1	
16	1081990013	Valve Supporter	1	
17	1120130039	Three-way Valve	1	
18	1073521301	Electrical Box Cover	1	
19	1070040001	Cable Clamp(ϕ 6)	1	
20	1070040002	Cable Clamp(ϕ 7)	1	
21	1170500131	Terminal	1	
22	1170100031	Fan Motor Capacitor	1	
23	1170100014A	Compressor Capacitor	1	
24	1080010002	Capacitor Strip	1	
25	1081990010	Electrical Parts Box	1	
26	211238596	Capillary Assembly	1	
27	1081990019	Partition plate	1	
28	211313638	Base Carton	1	Not shown in Explosion view
29	211313639YS	Cabinet Carton	1	
30	211313637	Base Foaming	1	
31	211313636	Cover Forming	1	

Outdoor unit: TACO-09HRA/E1

No.	Part No.	Part Name	Q'ty	Remark
1	1071990038	Grille	1	Optional
2	1081990014	Top Cover	1	
3	211232279A	Condenser	1	
4	1081990018	Outdoor Motor Supporter	1	
5	1170040071	Outdoor Motor	1	
6	1070030006AA	Propeller Fan	1	
7	1081990011	Left Grille Supporter	1	
8	1081990016	Front Plate	1	
9	1070251929	Fan Guard	1	
10	211238496	Compressor And It Accessories	1	
11	1120110016	4-way Valve	1	
12	211238962	4-way Valve Assembly	1	
13	210800528	Base	1	
14	1081990012	Right Plate	1	
15	211236491	Two-way Valve	1	
16	1081990013	Valve Supporter	1	
17	1120130039	Three-way Valve	1	
18	1073521301	Electrical Box Cover	1	
19	1070040001	Cable Clamp(ϕ 6)	1	
20	1070040002	Cable Clamp(ϕ 7)	1	
21	1170500131	Terminal	1	
22	1170100031	Fan Motor Capacitor	1	
23	1170100014A	Compressor Capacitor	1	
24	1080010002	Capacitor Strip	1	
25	1081990010	Electrical Parts Box	1	
26	211237710	Capillary Assembly	1	
27	1081990019	Partition plate	1	
28	211313638	Base Carton	1	Not shown in Explosion view
29	211313639YS	Cabinet Carton	1	
30	211313637	Base Foaming	1	
31	211313636	Cover Forming	1	

Outdoor unit: TACO-12HRA/E1

No.	Part No.	Part Name	Q'ty	Remark
1	1071990039	Back Grille	1	Optional
2	1080320105	Top Cover	1	
3	211238586	Condenser	1	
4	1080050004	Outdoor Motor Supporter	1	
5	1170040058	Outdoor Motor	1	
6	1070030050AA	Propeller Fan	1	
7	1080050001	Left Grille Supporter	1	
8	210800274	Front Plate	1	
9	1070251931	Fan Guard	1	
10	1100011049	Compressor	1	
11	1120110016	4-way Valve	1	
12	211239753	4-way Valve Assembly	1	
13	210800466	Base	1	
14	1080050002	Right Plate	1	
15	1120120021	Two-way Valve	1	
16	1080050003	Valve Supporter	1	
17	211206766	Three-way Valve	1	
18	1070350971	Electrical Box Cover	1	
19	1070040001	Cable Clamp($\phi 6$)	1	
20	1070040002	Cable Clamp($\phi 7$)	1	
21	1170500131	Terminal	1	
22	1170100010AB	Fan Motor Capacitor	1	
23	1170100004A	Compressor Capacitor	1	
24	1080010006	Capacitor Strip	1	
25	1081990010	Electrical Parts Box	1	
26	211204774	Capillary Assembly	1	
27	1081990314	Partition plate	1	
28	211369052	Base Carton	1	Not shown in the Explosion view
29	211311098AHU	Cabinet Carton	1	
30	211311099	Base Foaming	1	
31	211311100	Cover Forming	1	

Outdoor unit: TACO-18HRA/E1

No.	Part No.	Part Name	Q'ty	Remark
1	1071990040	back Grille	1	Optional
2	1080050011	Top Cover	1	
3	211200883A	Condenser	1	
4	1080050004	Outdoor Motor Supporter	1	
5	1170040059	Outdoor Motor	1	
6	1070030038AA	Propeller Fan	1	
7	1080050001	Left Grille Supporter	1	
8	210800275	Front Plate	1	
9	1070251931	Fan Guard	1	
10	211238303	Compressor	1	
11	1120500226	4-way Valve	1	
12	211238305	4-way Valve Assembly	1	
13	210800487	Base	1	
14	1080050002	Right Plate	1	
15	1120120021	Two-way Valve	1	
16	1080050003	Valve Supporter	1	
17	1120130085	Three-way Valve	1	
18	1070350971	Electrical Box Cover	1	
19	1070040001	Cable Clamp($\phi 6$)	1	
20	1070040003	Cable Clamp($\phi 8$)	1	
21	1170500131	Terminal	1	
22	1170100027A	Fan Motor Capacitor	1	
23	1170100004A	Compressor Capacitor	1	
24	1080010006	Capacitor Strip	1	
25	1081990010	Electrical Parts Box	1	
26	211204878	Capillary Assembly	1	
27	210800557	Partition plate	1	
28	211369053	Base Carton	1	Not shown in the Explosion view.
29	211311128ADE	Cabinet Carton	1	
30	211311129	Cover Forming	1	

Outdoor unit: TACO-24HRA/E1

No.	Part No.	Part Name	Q'ty	Remark
1	1083520101	Back Grille	1	Optional
2	1081990056	Top Cover	1	
3	211206428	Condenser	1	
4	1081990060	Outdoor Motor Supporter	1	
5	1170040100	Outdoor Motor	1	
6	1070030040AA	Propeller Fan	1	
7	1081990053	Left Grille Supporter	1	
8	1081990258	Front Plate	1	
9	1071990096	Fan Guard	1	
10	211232872	Compressor	1	
11	1120110017	4-way Valve	1	
12	211238193	4-way Valve Assembly	1	
13	210800568	Base	1	
14	1081990054	Right Plate	1	
15	1120120021	Two-way Valve	1	
16	1081990055	Valve Supporter	1	
17	1120130037	Three-way Valve	1	
18	1070350971	Electrical Box Cover	1	
19	1070040001	Cable Clamp ϕ 6	1	
20	1070040008	Cable Clamp ϕ 10	1	
21	1170500131	Terminal	1	
22	1170100030A	Fan Motor Capacitor	1	
23	1170100033A	Compressor Capacitor	1	
24	1080010006	Capacitor Strip	1	
25	1081990010	Electrical Parts Box	1	
26	211238294	Capillary Assembly	1	
27	1081990318	Partition plate	1	
28	211312855NB	Cabinet Carton	1	Not shown in the Explosion view
29	211312854	Base Carton	1	
30	211312852	Base Foaming	1	
31	211312851	Cover Foam	1	

Outdoor unit: TACO-07HA/E2

No.	Part No.	Part Name	Q'ty	Remark
1	1071990038	Grille	1	Optional
2	1081990014	Top Cover	1	
3	211232279A	Condenser	1	
4	1081990018	Outdoor Motor Supporter	1	
5	1170040071	Outdoor Motor	1	
6	1070030006AA	Propeller Fan	1	
7	1081990011	Left Grille Supporter	1	
8	1081990016	Front Plate	1	
9	1070251929	Fan Guard	1	
10	1100110034	Compressor	1	
11	1120110016	4-way Valve	1	
12	211238951	4-way Valve Assembly	1	
13	210837829	Base	1	
14	1081990012	Right Plate	1	
15	211236491	Two-way Valve	1	
16	1081990013	Valve Supporter	1	
17	1120130039	Three-way Valve	1	
18	1073521301	Electrical Box Cover	1	
19	1070040001	Cable Clamp(ϕ 6)	1	
20	1070040002	Cable Clamp(ϕ 7)	1	
21	1170500131	Terminal	1	
22	1170100031A	Fan Motor Capacitor	1	
23	1170100014A	Compressor Capacitor	1	
24	1080010002	Capacitor Strip	1	
25	1081990010	Electrical Parts Box	1	
26	211238596	Capillary Assembly	1	
27	1081990019	Partition plate	1	
28	211313638	Base Carton	1	Not shown in Explosion view
29	211313639YS	Cabinet Carton	1	
30	211313637	Base Foaming	1	
31	211313636	Cover Forming	1	

Indoor unit: TACO-09HA/E2

No.	Part No.	Part Name	Q'ty	Remark
1	1071990038	Grille	1	Optional
2	1081990014	Top Cover	1	
3	211232279A	Condenser	1	
4	1081990018	Outdoor Motor Supporter	1	
5	1170040071	Outdoor Motor	1	
6	1070030006AA	Propeller Fan	1	
7	1081990011	Left Grille Supporter	1	
8	1081990016	Front Plate	1	
9	1070251929	Fan Guard	1	
10	211238496	Compressor	1	
11	1120110016	4-way Valve	1	
12	211238962	4-way Valve Assembly	1	
13	210800528	Base	1	
14	1081990012	Right Plate	1	
15	211236491	Two-way Valve	1	
16	1081990013	Valve Supporter	1	
17	1120130039	Three-way Valve	1	
18	1073521301	Electrical Box Cover	1	
19	1070040001	Cable Clamp(ϕ 6)	1	
20	1070040002	Cable Clamp(ϕ 7)	1	
21	1170500131	Terminal	1	
22	1170100031	Fan Motor Capacitor	1	
23	1170100014A	Compressor Capacitor	1	
24	1080010002	Capacitor Strip	1	
25	1081990010	Electrical Parts Box	1	
26	211237710	Capillary Assembly	1	
27	1081990019	Partition plate	1	
28	211313638	Base Carton	1	Not shown in Explosion view
29	211313639YS	Cabinet Carton	1	
30	211313637	Base Foaming	1	
31	211313636	Cover Forming	1	

Outdoor unit: TACO-12HA/E2

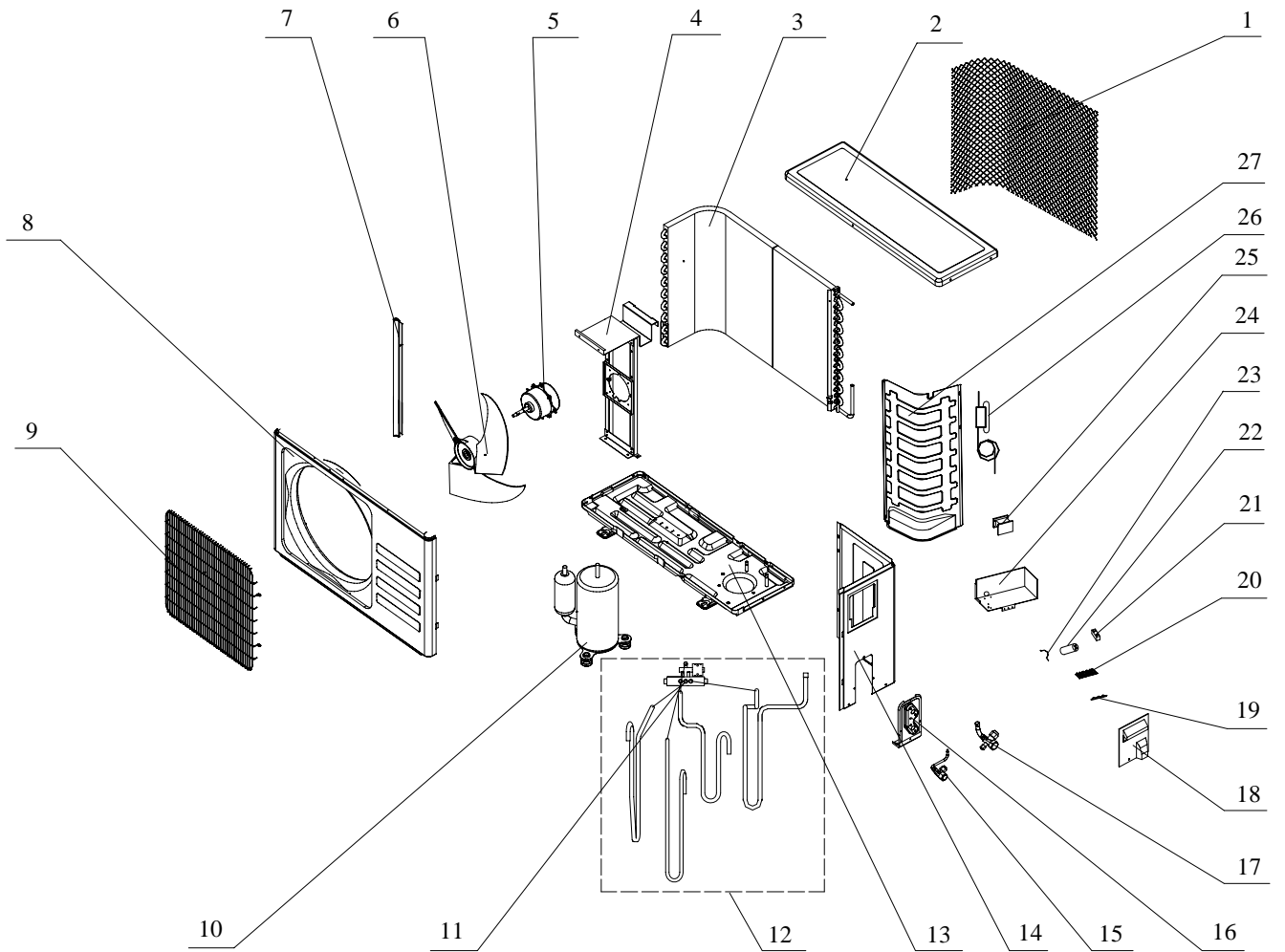
No.	Part No.	Part Name	Q'ty	Remark
1	1071990039	Back Grille	1	Optional
2	1080320105	Top Cover	1	
3	211238586	Condenser	1	
4	1080050004	Outdoor Motor Supporter	1	
5	1170040058	Outdoor Motor	1	
6	1070030050AA	Propeller Fan	1	
7	1080050001	Left Grille Supporter	1	
8	210800274	Front Plate	1	
9	1070251931	Fan Guard	1	
10	1100011049	Compressor	1	
11	1120110016	4-way Valve	1	
12	211239753	4-way Valve Assembly	1	
13	210800466	Base	1	
14	1080050002	Right Plate	1	
15	1120120021	Two-way Valve	1	
16	1080050003	Valve Supporter	1	
17	211206766	Three-way Valve	1	
18	1070350971	Electrical Box Cover	1	
19	1070040001	Cable Clamp(φ6)	1	
20	1070040002	Cable Clamp(φ7)	1	
21	1170500131	Terminal	1	
22	1170100010AB	Fan Motor Capacitor	1	
23	1170100004A	Compressor Capacitor	1	
24	1080010006	Capacitor Strip	1	
25	1081990010	Electrical Parts Box	1	
26	211204774	Capillary Assembly	1	
27	1081990314	Partition plate	1	
28	211369052	Base Carton	1	Not shown in the Explosion view
29	211311098AHU	Cabinet Carton	1	
30	211311099	Base Foaming	1	
31	211311100	Cover Forming	1	

Outdoor unit: TACO-18HA/E2

No.	Part No.	Part Name	Q'ty	Remark
1	1071990040	back Grille	1	Optional
2	1080050011	Top Cover	1	
3	211200883A	Condenser	1	
4	1080050004	Outdoor Motor Supporter	1	
5	1170040059	Outdoor Motor	1	
6	1070030038AA	Propeller Fan	1	
7	1080050001	Left Grille Supporter	1	
8	210800275	Front Plate	1	
9	1070251931	Fan Guard	1	
10	211238303	Compressor	1	
11	1120500226	4-way Valve	1	
12	211238305	4-way Valve Assembly	1	
13	210800487	Base	1	
14	1080050002	Right Plate	1	
15	1120120021	Two-way Valve	1	
16	1080050003	Valve Supporter	1	
17	1120130085	Three-way Valve	1	
18	1070350971	Electrical Box Cover	1	
19	1070040001	Cable Clamp($\phi 6$)	1	
20	1070040003	Cable Clamp($\phi 8$)	1	
21	1170500131	Terminal	1	
22	1170100027A	Fan Motor Capacitor	1	
23	1170100004A	Compressor Capacitor	1	
24	1080010006	Capacitor Strip	1	
25	1081990010	Electrical Parts Box	1	
26	211204878	Capillary Assembly	1	
27	210800557	Partition plate	1	
28	211369053	Base Carton	1	Not shown in the Explosion view.
29	211311128ADE	Cabinet Carton	1	
30	211311130	Base Foaming	1	
31	211311129	Cover Forming	1	

MODEL: TACO-28HRA/E1, TACO-36HA/WE

OUTDOOR UNIT:



Outdoor unit: TACO-28HRA/E1

No.	Part No.	Part Name	Q'ty	Remark
1	1071990041	Grille	1	Optional
2	1081990038	Top Cover	1	
3	211238231	Condenser	1	
4	1081990042	Outdoor Motor Supporter	1	
5	1170040102	Outdoor Motor	1	
6	1170120146AA	Propeller Fan	1	
7	1081990040	Left Grille Supporter	1	
8	1081990047	Front Plate	1	
9	1070251945	Fan Guard	1	
10	1100011034	Compressor	1	
11	1120110017	4-way Valve	1	
12	211238746	4-way Valve Assembly	1	
13	1081990178	Base	1	
14	1081990039	Right Plate	1	
15	1120120021	Two-way Valve	1	
16	1081990041	Valve Supporter	1	
17	1120130037	Three-way Valve	1	
18	1070350971	Electrical Box Cover	1	
19	1074060118	Cable Clamp	1	
20	1170200054	Terminal	1	
21	1170100030A	Fan Motor Capacitor	1	
22	1170100025A	Compressor Capacitor	1	
23	1080010006	Capacitor Strip	1	
24	1081990049	Electrical Parts Box	1	
25	1174561801	AC Contactor	1	
27	211238239	Capillary Assembly	1	
28	1081990050	Partition plate	1	
29	1190500707BKH	Cabinet Carton	1	Not shown in the Explosion view
30	211310615	Upper Foaming	1	
31	211310616	Base Foaming	1	
32	1190060191	Base Carton	1	

Outdoor unit: TACO-36HA/WE

No.	Part No.	Part Name	Q'ty	Remark
1	1071990055	Grille	1	Optional
2	1080050045	Top Cover	1	
3	211231303A	Condenser	1	
4	210800644	Outdoor Motor Supporter	1	
5	210900509	Outdoor Motor	1	
6	210702407	Propeller Fan	1	
7	1080050042	Left Grille Supporter	1	
8	210800337	Front Plate	1	
9	210702363	Fan Guard	1	
10	211233665	Compressor	1	
11	1120110021	4-way Valve	1	
12	211233791	4-way Valve Assembly	1	
13	210826467	Base	1	
14	1080050043	Right Plate	1	
15	1120120033	Two-way Valve	1	
16	1080050044	Valve Supporter	1	
17	1120130045	Three-way Valve	1	
18	1070350971	Electrical Box Cover	1	
19	1074060118	Cable Clamp	1	
20	1170200054	Terminal	1	
21	1170100067A	Fan Motor Capacitor	1	
22	210901177	Compressor Capacitor	1	
23	1080850106	Capacitor Strip	1	
24	1080050056	Electrical Parts Box	1	
25	1174561801	AC Contactor	1	
26	211233798	Capillary Assembly	1	
27	1170230005	Outdoor Sensor	1	Not show in the explosion view
28	211367224EG	Cabinet Carton	1	
29	211367222	Upper Carton	1	

7. Precaution

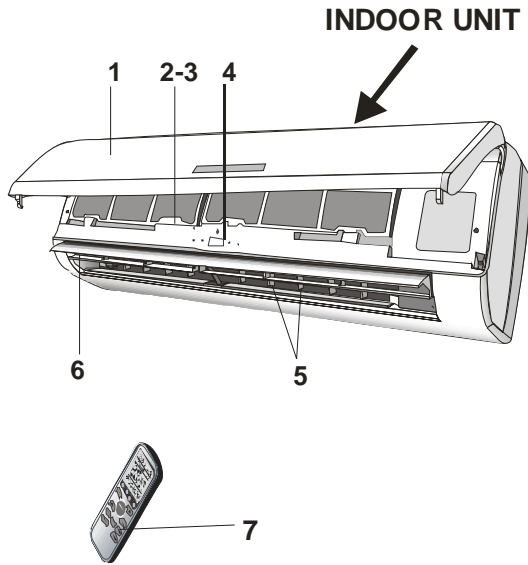
7.1 SAFETY RULES AND RECOMMENDATIONS FOR THE INSTALLATION

- Read this guide before installing and using the appliance.
- During the installation of the indoor and outdoor units the access to the working area should be forbidden to children.
Unforeseeable accidents could happen.
- Make sure that the base of the outdoor unit is firmly fixed.
- Check that air cannot enter the refrigerant system and check for refrigerant leaks when moving the air conditioner.
- Check that air cannot enter the refrigerant system and check for refrigerant leaks when moving the air conditioner.
- The ratings of the fuse installed in the built in-control unit are T 5A / 250V.
- The user must protect the indoor unit with a fuse of suitable capacity for the maximum input current or with another overload protection device.
- Ensure that the mains voltage corresponds to that stamped on the rating plate. Keep the switch or power plug clean. Insert the power plug correctly and firmly into the socket, thereby avoiding the risk of electric shock or fire due to insufficient contact.
- Check that the socket is suitable for the plug, otherwise have the socket changed.
- The appliance must be fitted with means for disconnection from the supply mains having a contact separation in all poles that provide full disconnection under over voltage category III conditions, and these means must be incorporated in the fixed wiring in accordance with the wiring rules.
- The air conditioner must be installed by professional or qualified persons. Do not install the appliance at a distance of less than 50 cm from inflammable substances (alcohol, etc.) Or from pressurized containers (e.g. spray cans).
- If the appliance is used in areas without the possibility of ventilation, precautions must be taken to prevent any leaks of refrigerant gas from remaining in the environment and creating a danger of fire.
- The packaging materials are recyclable and should be disposed of in the separate waste bins. Take the air conditioner at the end of its useful life to a special waste collection center for disposal.
- Only use the air conditioner as instructed in this booklet. These instructions are not intended to cover every possible condition and situation. As with any electrical household appliance, common sense and caution are therefore always recommended for installation, operation and maintenance.
- The appliance must be installed in accordance with applicable national regulations.
- Before accessing the terminals, all the power circuits must be disconnected from the power supply.
- The appliance shall be installed in accordance with national wiring regulations.
This appliance can be used by children aged from 8 years and above and persons with reduced physical, sensory or mental capabilities or lack of experience and knowledge if they have been given supervision or instruction concerning use of the appliance in a safe way and understand the hazards involved. Children shall not play with the appliance. Cleaning and user maintenance shall not be made by children without supervision.

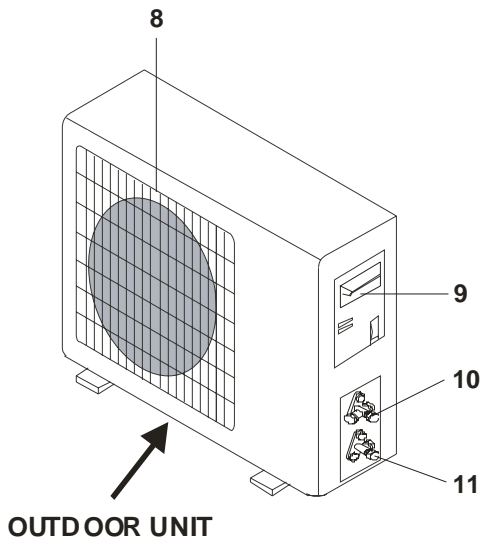
7.2 SAFETY RULES AND RECOMMENDATIONS FOR THE USER

- Do not try to install the conditioner alone; always contact specialized technical personnel. Cleaning and maintenance must be carried out by specialized technical personnel. In any case disconnect the appliance from the mains electricity supply before carrying out any cleaning or maintenance.
- Ensure that the mains voltage corresponds to that stamped on the rating plate. Keep the switch or power plug clean. Insert the power plug correctly and firmly into the socket, thereby avoiding the risk of electric shock or fire due to insufficient contact.
- Do not pull out the plug to switch off the appliance when it is in operation, since this could create a spark and cause a fire, etc.
- This appliance has been made for air conditioning domestic environments and must not be used for any other purpose, such as for drying clothes, cooling food, etc.
- The packaging materials are recyclable and should be disposed of in the separate waste bins. Take the air conditioner at the end of its useful life to a special waste collection center for disposal.
- Always use the appliance with the air filter mounted. The use of the conditioner without air filter could cause an excessive accumulation of dust or waste on the inner parts of the device with possible subsequent failures.
- The user is responsible for having the appliance installed by a qualified technician, who must check that it is earthed in accordance with current legislation and insert a thermomagnetic circuit breaker.
- The batteries in remote controller must be recycled or disposed of properly. Disposal of Scrap Batteries.
--- Please discard the batteries as sorted municipal waste at the accessible collection point.
- Never remain directly exposed to the flow of cold air for a long time. The direct and prolonged exposition to cold air could be dangerous for your health. Particular care should be taken in the rooms where there are children, old or sick people.
- If the appliance gives off smoke or there is a smell of burning, immediately cut off the power supply and contact the Service Centre.
- The prolonged use of the device in such conditions could cause fire or electrocution.
- Have repairs carried out only by an authoritative Service Centre of the manufacturer. Incorrect repair could expose the user to the risk of electric shock, etc.
- Unhook the automatic switch if you foresee not to use the device for a long time. The airflow direction must be properly adjusted.
- The flaps must be directed downwards in the heating mode and upwards in the cooling mode. Only use the air conditioner as instructed in this booklet. These instructions are not intended to cover every possible condition and situation. As with any electrical household appliance, common sense and caution are therefore always recommended for installation, operation and maintenance.

8. Names of parts



Indoor unit	
No.	Name
1	Front panel
2	Air filter
3	Special filter(option)
4	Display PCB
5	Vertical vane
6	Horizontal vane
7	Remote controller



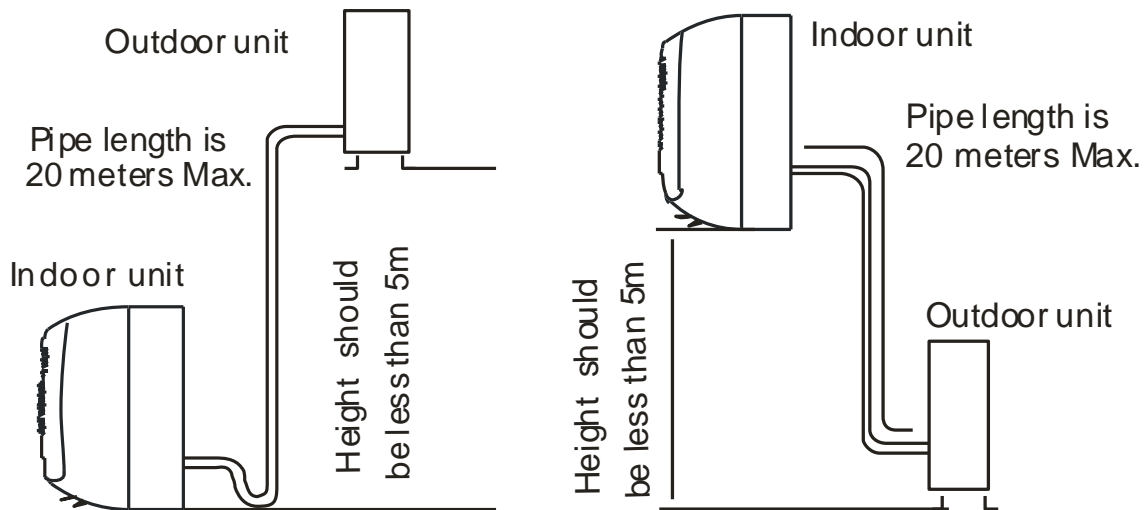
Outdoor unit	
No.	Name
8	Air outlet grille
9	Electronic box cover
10	2-way valve
11	3-way valve

9. Installation manual

9.1 Information for installation

Connecting pipe

Model	Pipe size(Inch)	
	Liquid	Gas
TACO-07HA/E1, TACO-09HA/E1 TACO-12HA/E1, TACO-07HA/EW TACO-09HA/EW, TACO-12HA/EW TACO-09HA/ES, TACO-12HA/ES	1/4	3/8
TACO-18HA/E1, TACO-18HA/EW	1/4	1/2
TACO-24HA/E1, TACO-28HA/E1	1/4	5/8
TACO-36HAWE	1/2	3/4



Mode	Standard length: m	Refrigerant piping Max. length: m	Additional refrigerant Calculation: $\times g=20g/m(A-5m)$
TAC-07HRA/E1, TAC-09HRA/E1 TAC-07HRA/EW, TAC-09HRA/EW TAC-09HRA/ES	3.0	20	20g/m
TAC-12HRA/E1, TAC-12HRA/EW TAC-12HRA/ES	3.5	20	20g/m
TAC-18HRA/E1, TAC-12HRA/EW	5.0	20	30g/m
TAC-24HRA/E1, TAC-28HRA/E1	5.0	20	30g/m
TAC-36HRAWE	5.0	20	40g/m

Connecting cables

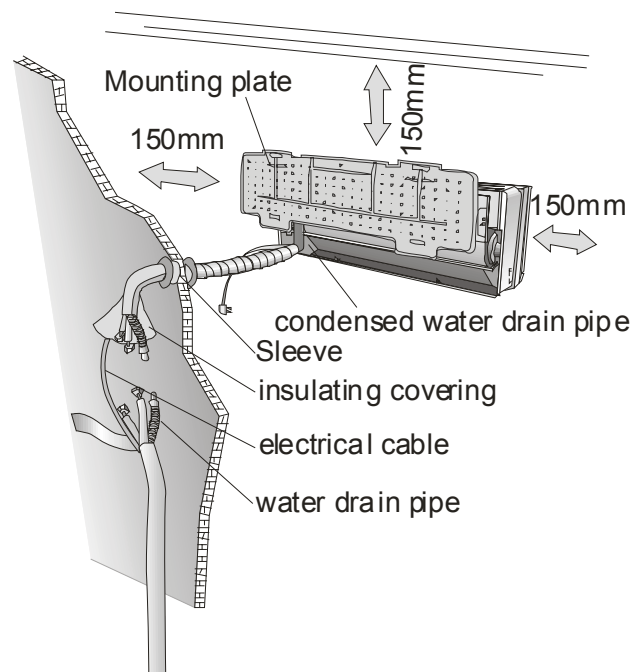
The power cord should be selected according to the following specifications sheet.

Appliance Amps	Wire Size
5	AWG21/0.75 mm ²
10	AWG18/1.0 mm ²
13	AWG15 /1.5 mm ²
18	AWG14/1.6 mm ²
25	AWG12/2.0 mm ²
30	AWG10/2.5 mm ²

9.2 Installation for the first time

Indoor unit

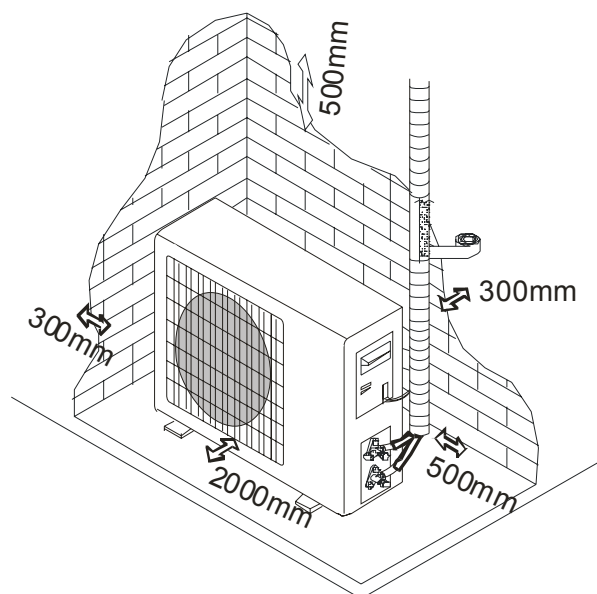
- Install the indoor unit level on a strong wall that is not subject to vibrations
- The inlet and outlet ports should not be obstructed: the air should be able to blow all over the room.
- Do not install the unit near a source of heat, heat, steam or flammable gas.
- Do not install the unit in too windy or dusty places.
- Do not install the unit where people often pass. Select a place where the air discharge and operating sound level will not disturb the neighbors.
- Install the unit where connection between indoor and outdoor unit is as easy as possible.
- Install the unit where it is easy to drain the condensed water.
- Check the machine operation regularly and leave the necessary spaces as shown in the picture.
- Install the indoor unit where the filter can be easily accessible.



OUTDOOR UNIT

- Do not install the outdoor unit near sources of heat, steam or flammable gas.
- Do not install the unit in too windy or dusty places.
- Do not install the unit where people often pass. Select a place where the air discharge and operating sound level will not disturb the neighbors.
- Avoid installing the unit where it will be exposed to direct sunlight (other wise use a protection, if necessary, that should not interfere with the air flow).
- Leave the spaces as shown in the picture for
- The air to circulate freely.
- Install the outdoor unit in a safe and solid place.
- If the outdoor unit is subject to vibration, place rubber gaskets onto the feet of the unit.

Minimum space to be left (mm) showing in the picture.



- Install the indoor unit in the room to be air conditioning, avoiding to installation in corridors or communal areas.
- Install the indoor unit at a height of at least 2.5m from the ground.

To install, proceed as follows:

9.2.1 Installation of the mounting plate.

- 1) By using a level, put the mounting plate in a perfect square position vertically and horizontally.
- 2) Drill 32mm deep holes in the wall to fix the plate.
- 3) Insert the plastic anchors into the hole.
- 4) Fix the mounting plate by using the provided tapping screws.
- 5) Check that the mounting plate is correctly fixed.

Note: The shape of the mounting plate may be different from the one above, but installation method is similar.

9.2.2 Drilling a hole in the wall for the piping

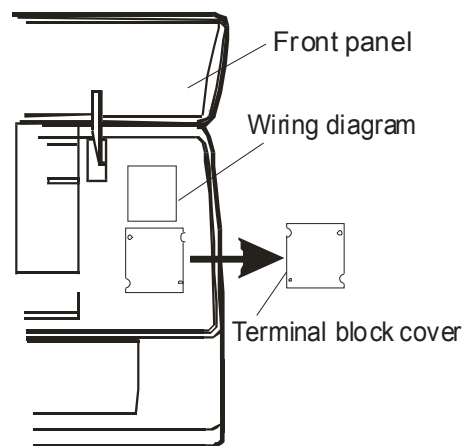
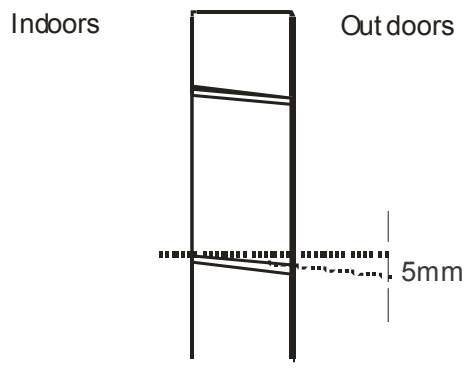
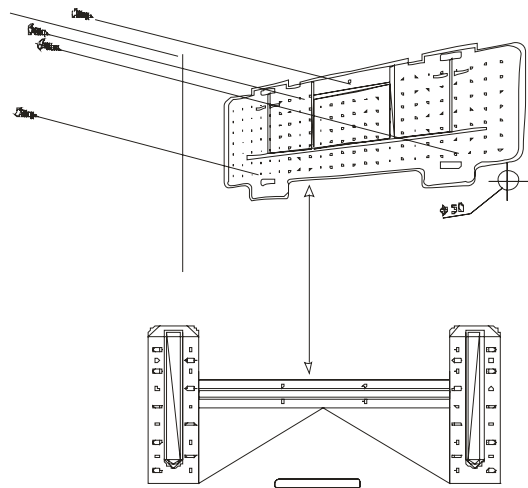
- 1) Decide where to drill the hole in the wall for the piping (if necessary) according to the position of the mounting plate
- 2) Install a flexible flange through the hole in the wall to keep the latter intact and clean.

The hole must slope downwards towards the exterior.

Note: Keep the drain pipe down towards the direction of the wall hole, otherwise leakage may occur.

9.2.3 Electrical connections---Indoor unit

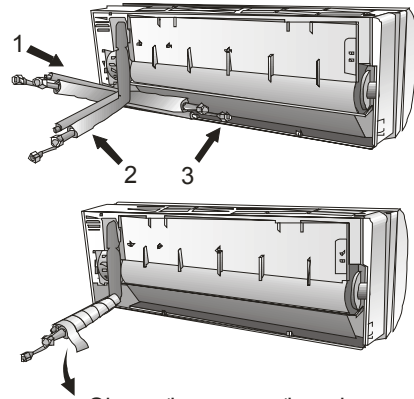
- 1).Lift the front panel.
- 2).Take off the cover as indicated in the picture (by removing a screw or by breaking the hooks).
- 3).For the electrical connections, see the circuit diagram on the right part of the unit under the front panel.
- 4).Connect the cable wires to the screw terminals by following the numbering, Use wire size suitable to the electric power input (see name plate on the unit) and according to all current national safety code requirements.
- 5).The cable connecting the outdoor and indoor units must be suitable for outdoor use.



- 6).The plug must be accessible also after the appliance has been installed so that it can be pulled out if necessary.
- 7).An efficient earth connection must be ensured.
- 8).If the power cable is damaged, it must be replaced by an authorized Service Centre.

9.2.4 Refrigerant piping connection

The piping can be run in the 3 directions indicated by numbers in the picture. When the piping is run in direction 1 or 3, cut a notch along the groove on the side of the indoor unit with a cutter.

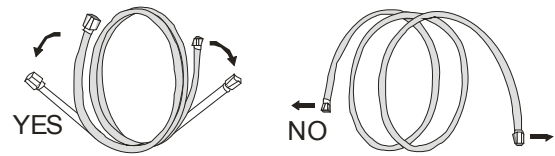


Shape the connection pipe

Run the piping in the direction of the wall hole and bind the copper pipes, the drain pipe and the power cables together with the tape with the drain pipe at the bottom, so that water can flow freely.

9.2.5 Connecting the pipes.

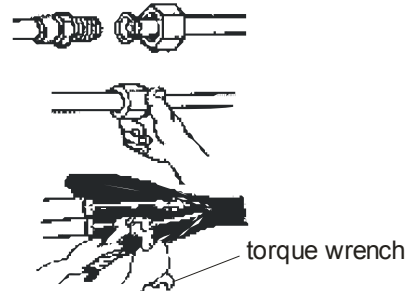
- Do not remove the cap from the pipe until connecting it, to avoid dampness or dirt from entering.
- If the pipe is bent or pulled too often, it will become stiff. Do not bend the pipe more than three times at one point.
- When extending the rolled pipe, straighten the pipe by unwinding it gently as shown in the picture.



Extending the rolled pipe

9.2.6 Connections to the indoor unit

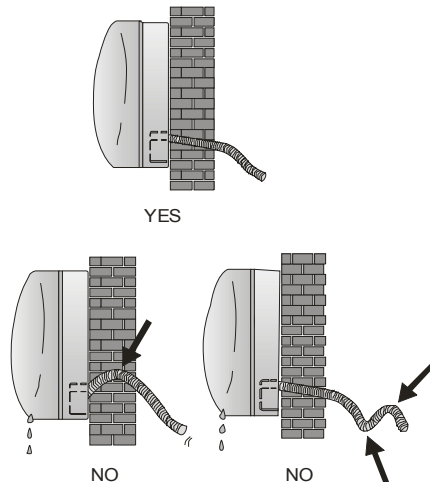
- 1).Remove the indoor unit pipe cap (check that there is no debris inside).
- 2).Insert the flare nut and create a flange at the extreme end of the connection pipe.
- 3).Tighten the connections by using two wrenches working in opposite directions.



9.2.7 Indoor unit condensed water drainage

The indoor unit condensed water drainage is fundamental for the success of the installation.

- 1).Place the drain hose below the piping, taking care not to create siphons.
- 2).The drain hose must slant downwards to aid drainage.
- 3).Do not bend the drain hose or leave it protruding or twisted and do not put the end of it in water. If an extension is connected to the drain hose, ensure that it is lagged when it passes into the indoor unit.

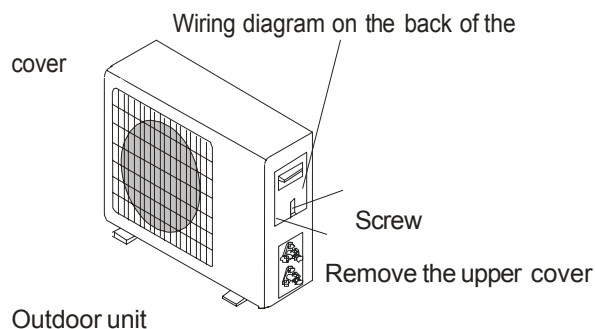


4). If the piping is installed to the right, the pipes, power cable and drain hose must be lagged and secured onto the rear of the unit with a pipe connection.

- Insert the pipe connection into the relative slot.
- Press to join the pipe connection to the base.

9.2.8 Electronic connections

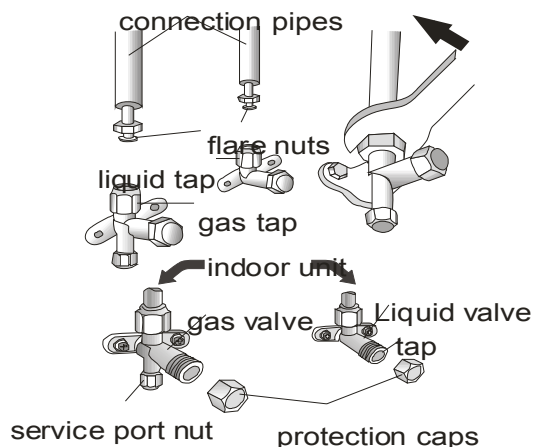
1. Take the cover away.
2. Connect the cable wires to the terminal board using the same numbering as in the indoor unit.
3. For the electrical connections, see the wiring diagram on the back of the cover
4. Fasten the cables with a cable-clamp.
5. An efficient earth connection must be ensured.
6. Replace the covers.



9.2.9 Connecting the pipe

Screw the flare nuts to the outdoor unit coupling with the same tightening procedures described for the indoor unit.

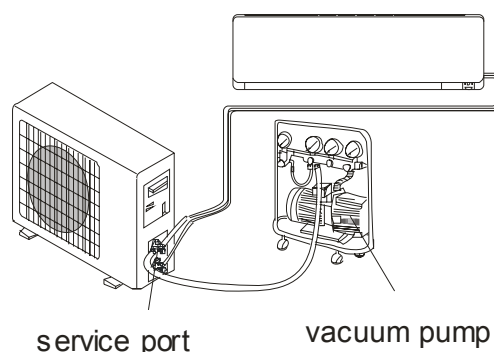
Note: If the tightening torque is not sufficient, there will probably be some leakage. With excessive tightening torque there will also be some leakage, as the flange could be damaged.



9.2.6 Bleeding

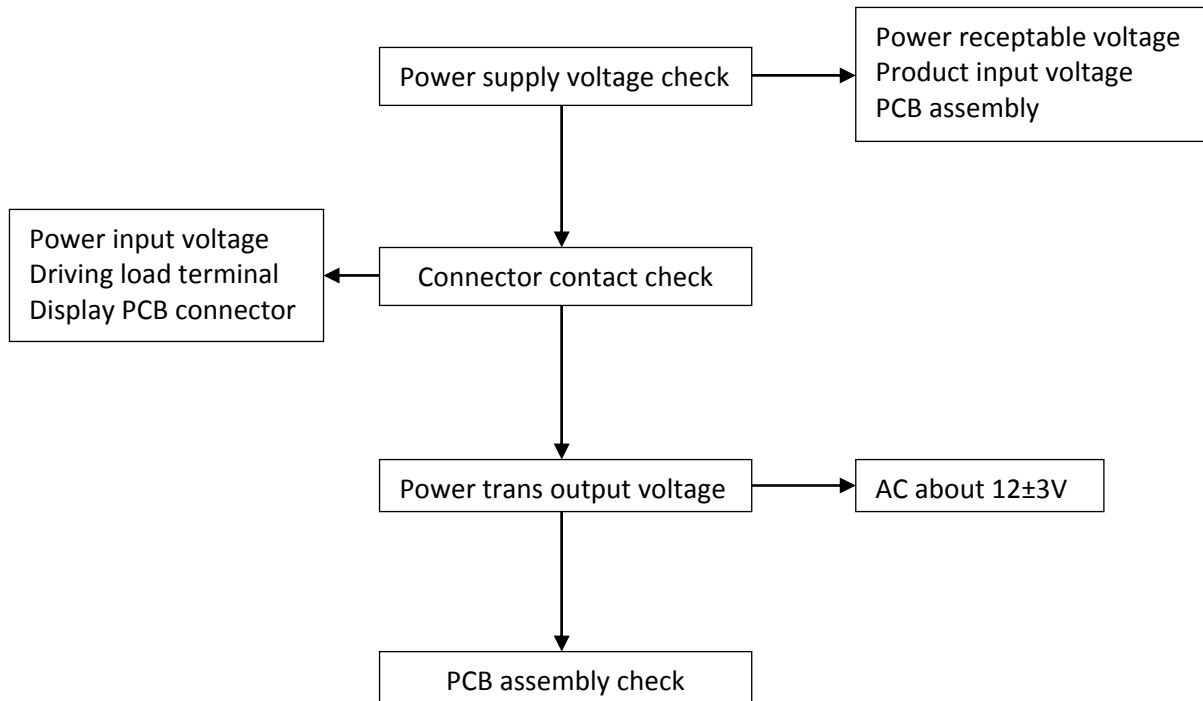
Air and humidity left inside the refrigerant circuit can cause compressor malfunction. After having connected the indoor and outdoor units, bleed the air and humidity from the refrigerant circuit by using a vacuum pump.

The air and humidity left inside the refrigerant circulation can cause compressor malfunction. After having connected the indoor and outdoor units, bleed the air and humidity from the refrigerant circulation using a vacuum pump.

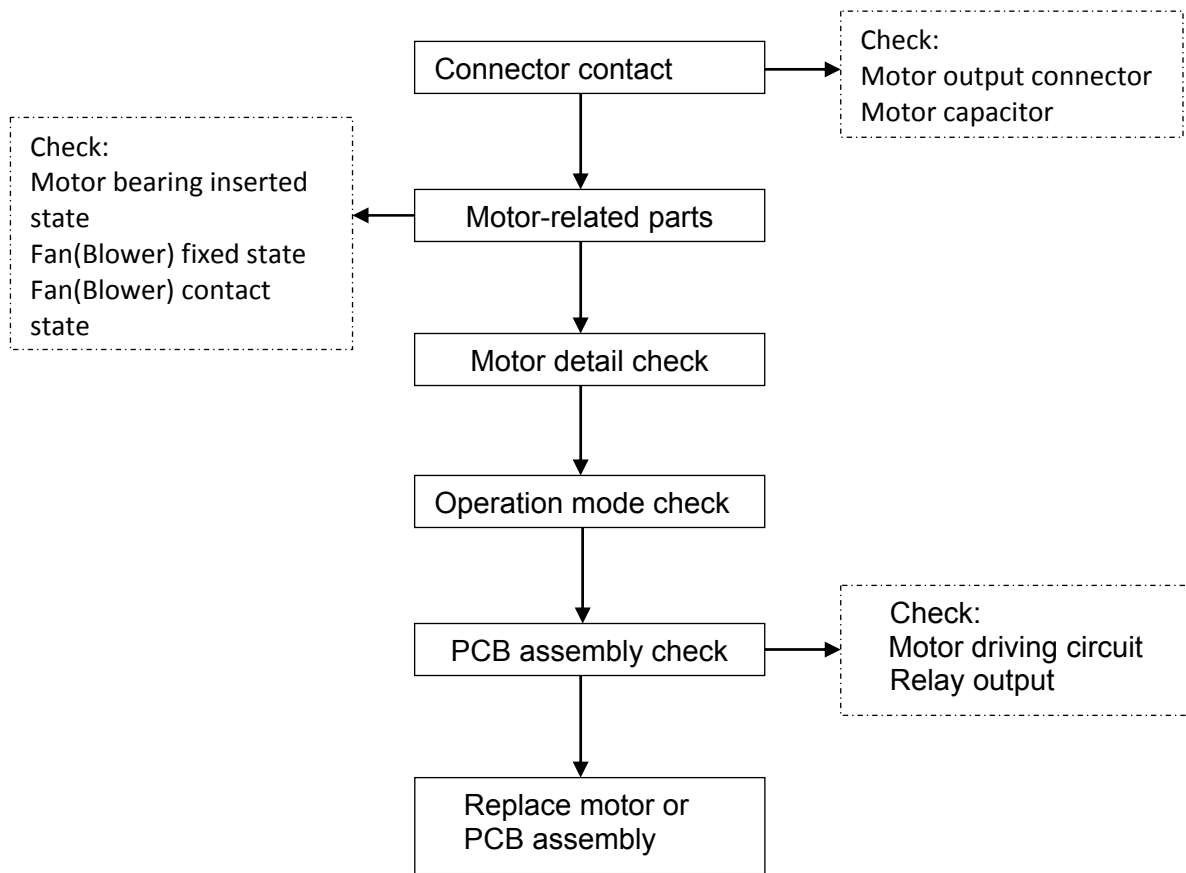


10. Trouble shooting

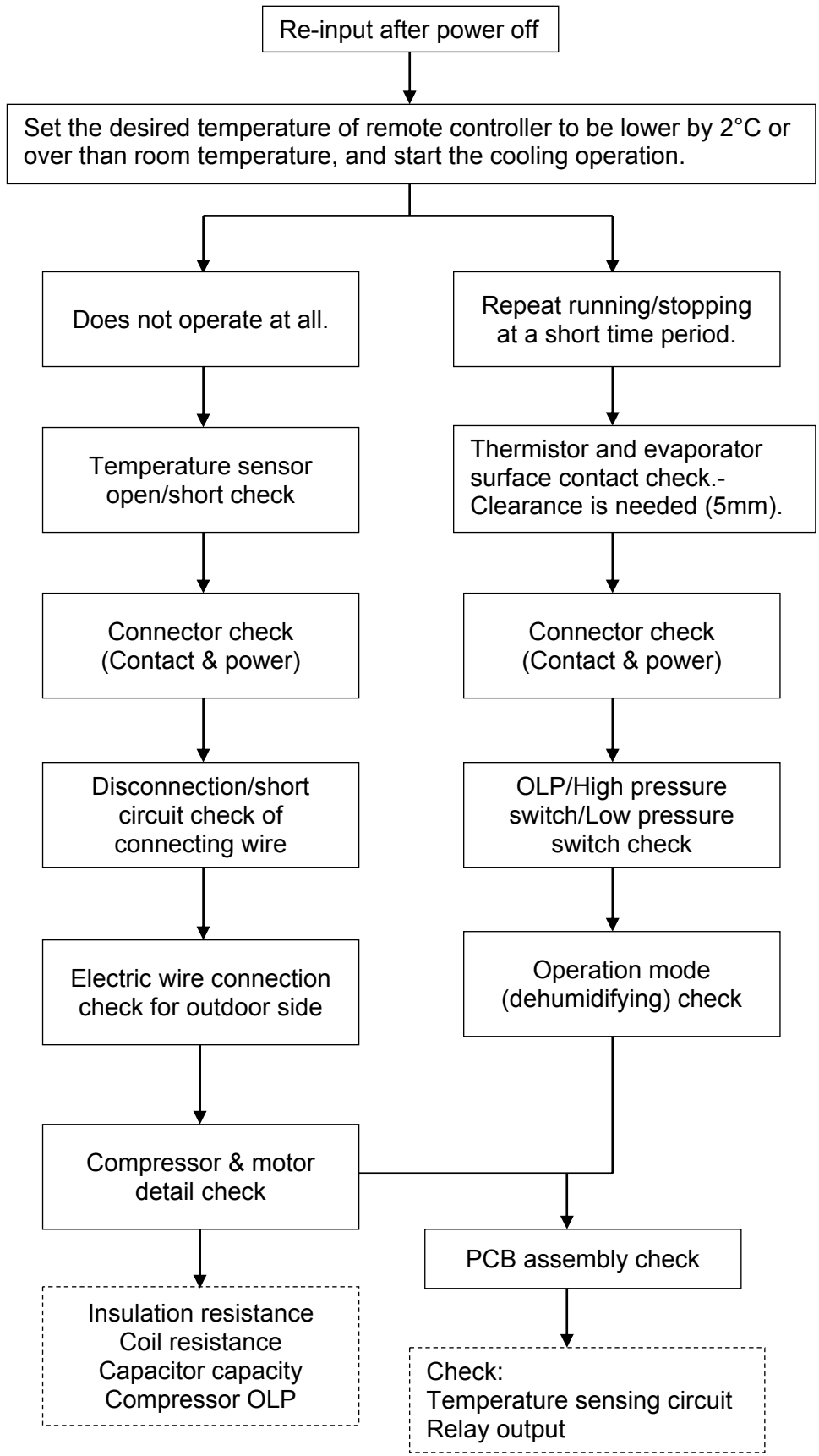
10.1 Product does not operate at all.



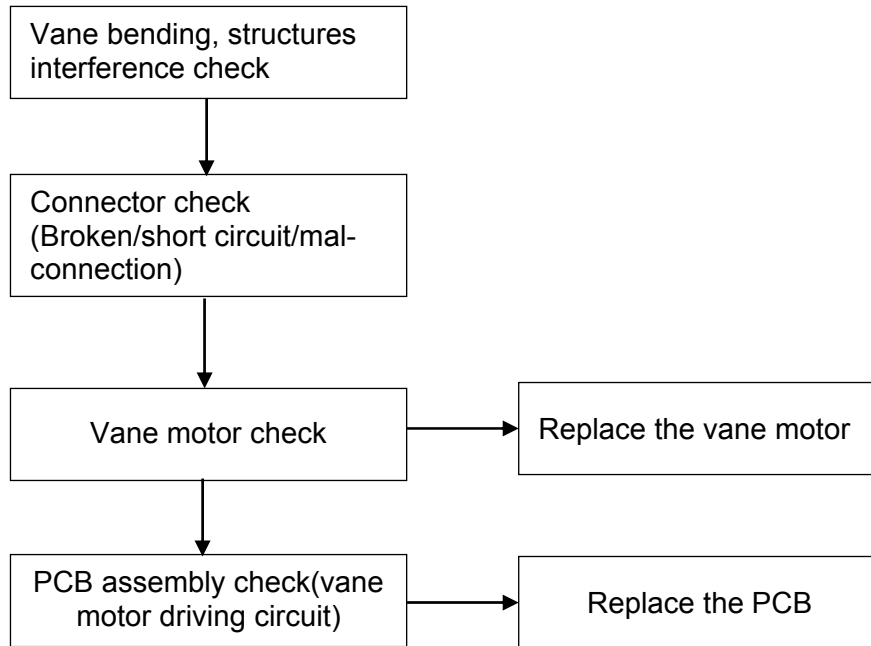
10.2 Indoor fan does not operate at all (E6).



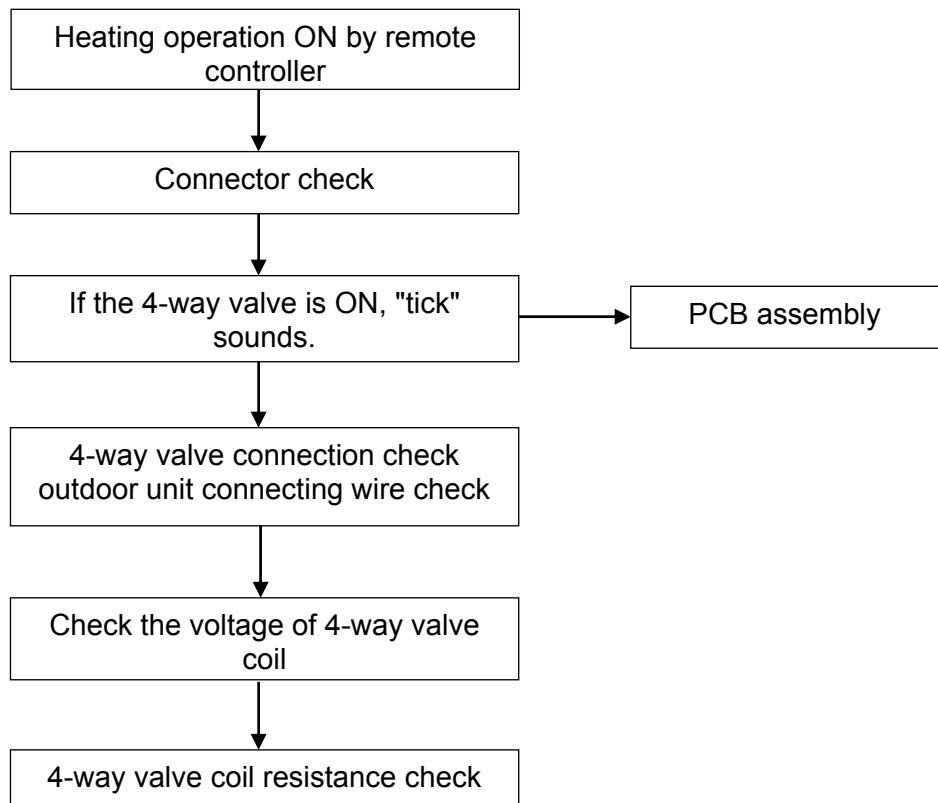
10.3 Compressor or outdoor fan does not operate at all.



10.4 Vane does not operate at all.



10.5 Cooling/heating conversion is disable.

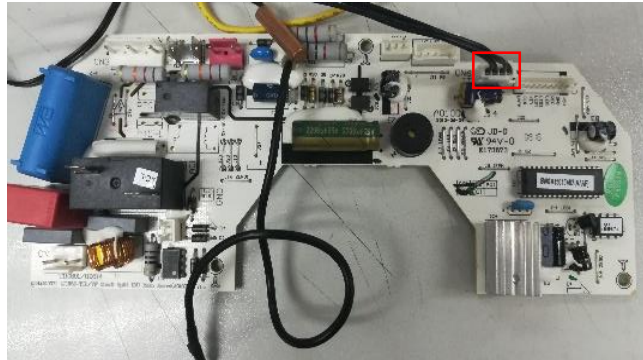
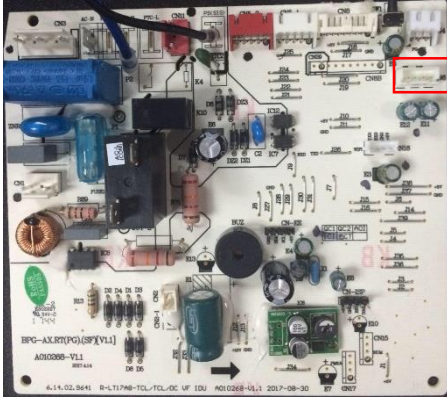


11.5 Examples of repairing

11.5.1 Display E1 or E2

Reasons:

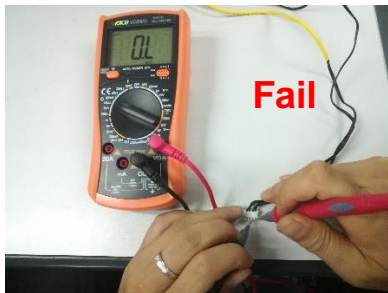
- 1) The sensor connection terminal loose or not plugged in.



Solution: Check the connector of sensor and slot (CN6), if loose or not plugged in, please connect again.

- 2) Room temperature sensor (IRT) and Indoor pipe (coil) temperature sensor (IPT) damage (short or broken).

Solution: check the resistance of the sensor $R(25^{\circ}\text{C}) = 5\text{ k}\Omega$, if short or broken please replace it.



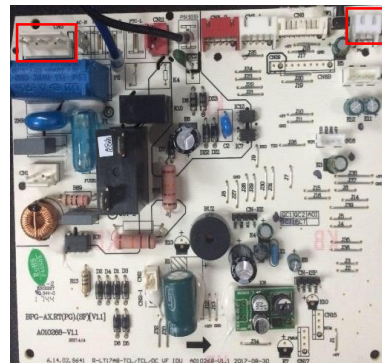
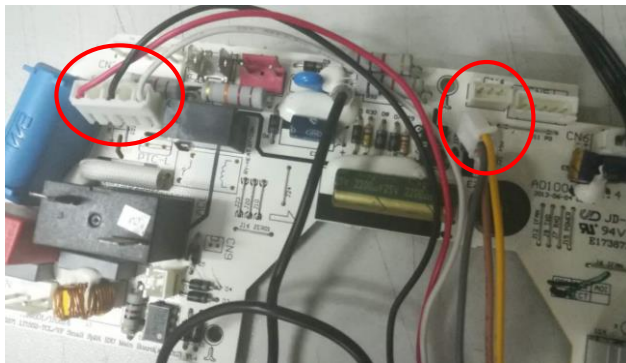
- 3) The PCB fail.

Solution: Replace the indoor main PCB.

11.5.2 Display E6

Reasons:

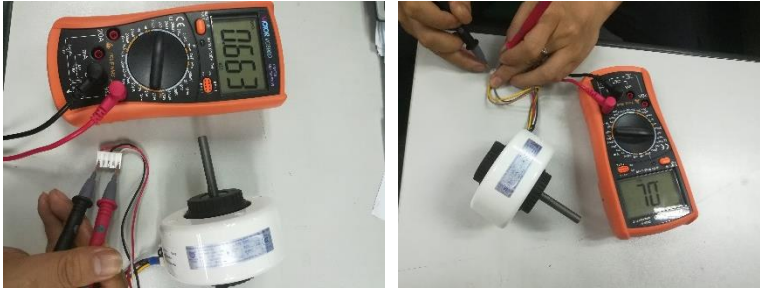
- 1) The indoor motor connection terminal loose or not plugged in.



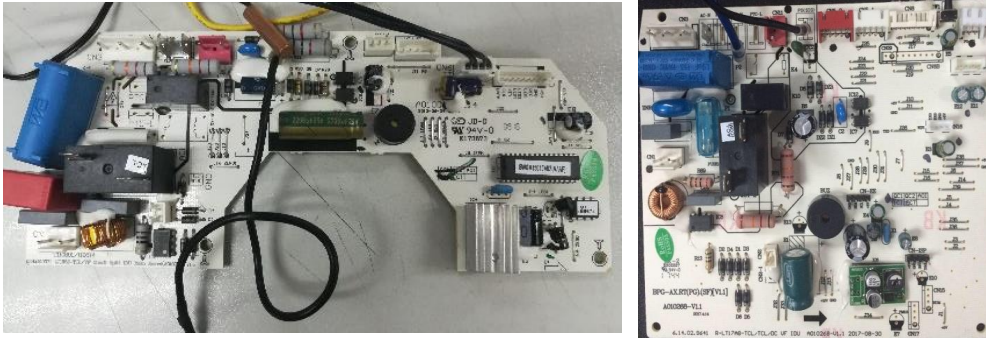
Solution: Check the connector of indoor motor and slot (CN3) and (CN4), if loose or not plugged in, please connect again.

2) The indoor motor damage.

Solution: Check and replace the motor.



3) The indoor main PCB damage.



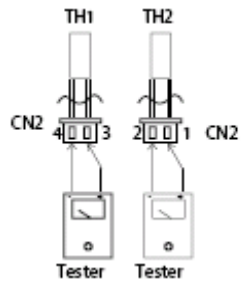
Solution: Replace the indoor main PCB.

10.6 THERMISTOR TEMPERATURE CHARACTERISTICS

Indoor unit room temperature and pipe temperature characteristics

TEMP. (°C)	Resistance (k Ohm)	Voltage of resistance	TEMP. (°C)	Resistance (k Ohm)	Voltage of resistance	TEMP. (°C)	Resistance (k Ohm)	Voltage of resistance
-30	63.513	4.628	15	7.447	2.968	60	1.464	1.115
-29	60.135	4.609	16	7.148	2.918	61	1.418	1.088
-28	56.956	4.589	17	6.863	2.868	62	1.374	1.061
-27	53.963	4.568	18	6.591	2.819	63	1.331	1.035
-26	51.144	4.547	19	6.332	2.769	64	1.290	1.009
-25	48.488	4.524	20	6.084	2.720	65	1.250	0.984
-24	45.985	4.501	21	5.847	2.671	66	1.212	0.960
-23	43.627	4.477	22	5.621	2.621	67	1.175	0.936
-22	41.403	4.452	23	5.404	2.572	68	1.139	0.913
-21	39.305	4.426	24	5.198	2.524	69	1.105	0.890
-20	37.326	4.399	25	5.000	2.475	70	1.072	0.868
-19	35.458	4.371	26	4.811	2.427	71	1.040	0.847
-18	33.695	4.343	27	4.630	2.379	72	1.009	0.825
-17	32.030	4.313	28	4.457	2.332	73	0.979	0.805
-16	30.458	4.283	29	4.292	2.285	74	0.950	0.785
-15	28.972	4.252	30	4.133	2.238	75	0.922	0.765
-14	27.567	4.219	31	3.981	2.192	76	0.895	0.746
-13	26.239	4.186	32	3.836	2.146	77	0.869	0.728
-12	24.984	4.152	33	3.697	2.101	78	0.843	0.710
-11	23.795	4.117	34	3.563	2.057	79	0.819	0.692
-10	22.671	4.082	35	3.435	2.012	80	0.795	0.675
-9	21.606	4.045	36	3.313	1.969	81	0.773	0.658
-8	20.598	4.008	37	3.195	1.926	82	0.751	0.641
-7	19.644	3.969	38	3.082	1.883	83	0.729	0.625
-6	18.732	3.930	39	2.974	1.842	84	0.709	0.610
-5	17.881	3.890	40	2.870	1.800	85	0.689	0.595
-4	17.068	3.850	41	2.770	1.760	86	0.669	0.580
-3	16.297	3.808	42	2.674	1.720	87	0.651	0.566
-2	15.565	3.766	43	2.583	1.681	88	0.633	0.552
-1	14.871	3.723	44	2.494	1.642	89	0.615	0.538
0	14.212	3.680	45	2.410	1.604	90	0.598	0.525
1	13.586	3.635	46	2.328	1.567	91	0.582	0.512
2	12.991	3.590	47	2.250	1.530	92	0.566	0.499
3	12.426	3.545	48	2.174	1.495	93	0.550	0.487
4	11.889	3.499	49	2.102	1.459	94	0.535	0.475
5	11.378	3.452	50	2.032	1.425	95	0.521	0.463
6	10.893	3.406	51	1.965	1.391	96	0.507	0.452
7	10.431	3.358	52	1.901	1.357	97	0.493	0.441
8	9.991	3.310	53	1.839	1.325	98	0.480	0.430
9	9.573	3.262	54	1.779	1.293	99	0.467	0.419
10	9.174	3.214	55	1.721	1.262	100	0.455	0.409
11	8.795	3.165	56	1.666	1.231			
12	8.433	3.116	57	1.613	1.201			
13	8.089	3.067	58	1.561	1.172			
14	7.760	3.017	59	1.512	1.143			

Resistance at 25°C : 5 kΩ.



TH1: indoor room temperature sensor and outside air temperature sensor

TH2: indoor exchange temperature sensor and outside exchange temperature sensor

Before measuring resistance, disconnect connectors as shown above.