



ARISTON

# SPARE PARTS EXPLODED VIEW STORAGE ELECTRIC WATER HEATERS

Model

## PRO1/BLU1 V PL

R8218113-02 - 04/09/2018

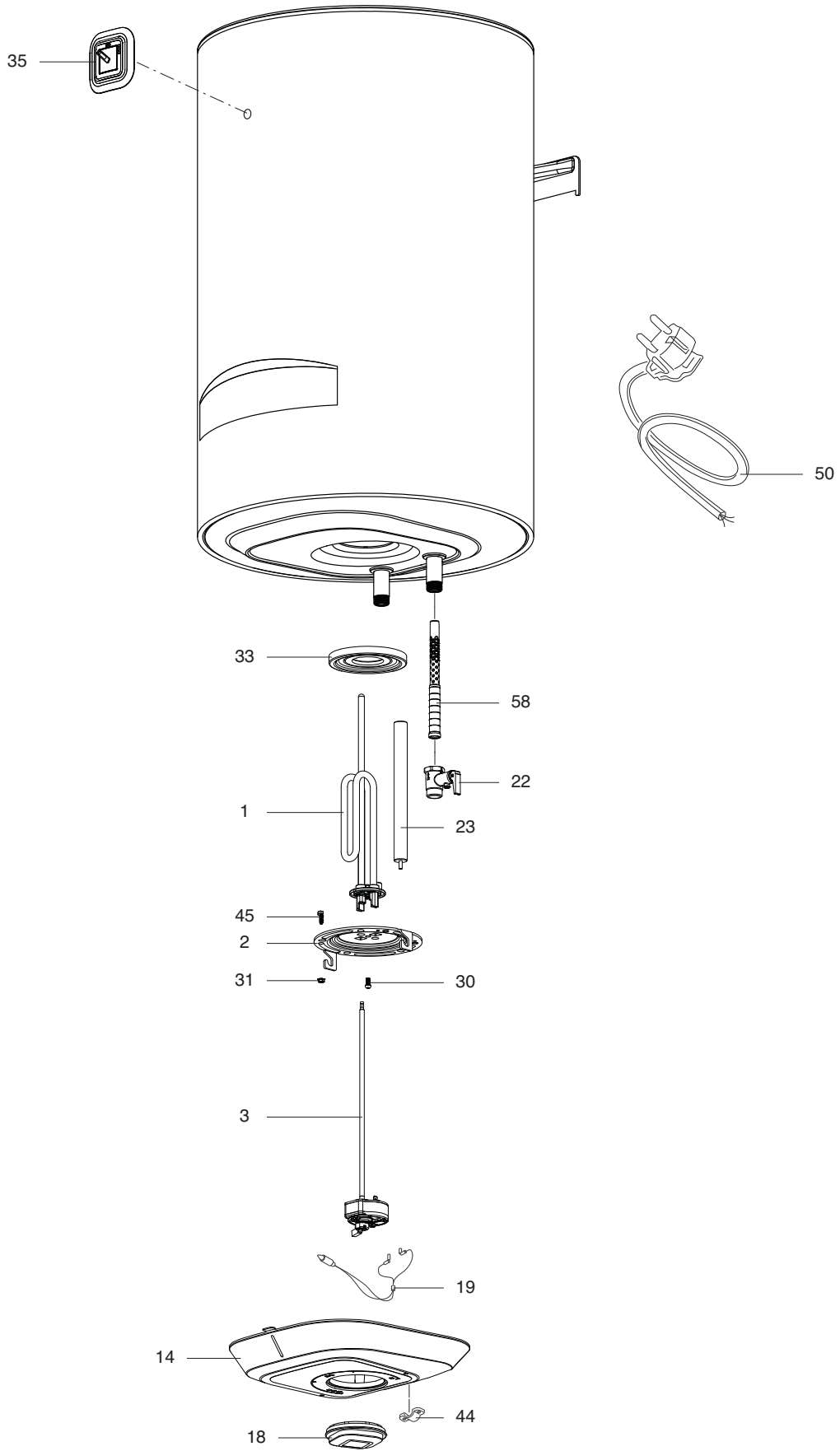
PRO1/BLU1 V PL

Storage Electric Water Heaters

1	3700589	PRO1 R 50 V PL	06-2018	-
2	3700527	PRO1 R 50 V 1,8K PL	07-2018	-
3	3700528	BLU1 R 50 V PL	07-2018	-
4	3700592	BLU1 R 50 V 1,8K PL	06-2018	-
5	3700590	PRO1 R 80 V PL	06-2018	-
6	3700529	PRO1 R 80 V 1,8K PL	07-2018	-
7	3700530	BLU1 R 80 V PL	07-2018	-
8	3700593	BLU1 R 80 V 1,8K PL	06-2018	-
9	3700591	PRO1 R 100 V PL	06-2018	-
10	3700531	PRO1 R 100 V 1,8K PL	07-2018	-
11	3700532	BLU1 R 100 V PL	07-2018	-
12	3700594	BLU1 R 100 V 1,8K PL	06-2018	-
13	3700566	PRO1 R 120 V 1,8K PL	08-2018	-
14	3700567	PRO1 R 150 V 1,8K PL	08-2018	-

Col	Reference	Model type	Begin	End
-----	-----------	------------	-------	-----



☺⇒	Description	Manf. Pt. N	Type	<div style="display: flex; justify-content: space-between; font-size: small;"> <span>PRO1 R 50 V PL</span> <span>PRO1 R 50 V 1.8K PL</span> <span>BLU1 R 50 V PL</span> <span>BLU1 R 50 V 1.8K PL</span> <span>PRO1 R 80 V PL</span> <span>PRO1 R 80 V 1.8K PL</span> <span>BLU1 R 80 V PL</span> <span>BLU1 R 80 V 1.8K PL</span> <span>PRO1 R 100 V PL</span> <span>PRO1 R 100 V 1.8K PL</span> <span>BLU1 R 100 V PL</span> <span>BLU1 R 100 V 1.8K PL</span> <span>PRO1 R 120 V 1.8K PL</span> <span>PRO1 R 150 V 1.8K PL</span> </div>																		From	to
				1	2	3	4	5	6	7	8	9	10	11	12	13	14	15	16	17	18		
0001	НАГРЕВАТЕЛЬНЫЙ ЭЛЕМЕНТ 1500W 220-240V	65111790		●	●	●	●	●	●	●	●	●	●	●									
	НАГРЕВАТЕЛЬНЫЙ ЭЛЕМЕНТ 1800W 228V	65111868		●	●	●	●	●	●	●	●	●	●	●									
0002	ФЛАНЕЦ (5 БОЛТОВ)	65111789		●	●	●	●	●	●	●	●	●	●	●									
0003	ТЕРМОСТАТ	65117588		●	●	●	●																
	ТЕРМОСТАТ	65117589						●	●	●	●	●	●	●	●	●	●	●	●				
0014	КРЫШКА ПЛАСТИКОВАЯ	65117460		●	●			●	●			●	●	●	●	●	●	●	●				
	КРЫШКА ПЛАСТИКОВАЯ	65180163				●	●			●	●		●	●									
0018	РУЧКА РЕГУЛИРОВКИ	65117463		●	●			●	●			●	●			●	●						
	РУЧКА РЕГУЛИРОВКИ	65180164				●	●			●	●		●	●									
0019	ИНДИКАТОРНАЯ ЛАМПА	993025		●	●	●	●	●	●	●	●	●	●	●	●	●	●	●	●				
0022	ПРЕДОХРАНИТЕЛЬНЫЙ КЛАПАН (1/2" 8,5 БАР)	571730		●	●	●	●	●	●	●	●	●	●	●	●	●	●	●	●				
0023	МАГНИЕВЫЙ АНОД D:25,5 L:230 M5-M8	993014-01		●	●	●	●	●	●	●	●	●	●	●	●	●	●	●	●				
0030	ВИНТ М6Х12	993000		●	●	●	●	●	●	●	●	●	●	●	●	●	●	●	●				
0031	ГАЙКА М6	994140		●	●	●	●	●	●	●	●	●	●	●	●	●	●	●	●				
0033	ПРОКЛАДКА ФЛАНЦА	65111788		●	●	●	●	●	●	●	●	●	●	●	●	●	●	●	●				
0035	ТЕРМОМЕТР	65117459		●	●			●	●			●	●			●	●						
	ТЕРМОМЕТР	65117775				●	●			●	●		●	●									
0044	ЗАЖИМ ДЛЯ КАБЕЛЯ	573266		●	●	●	●	●	●	●	●	●	●	●	●	●	●	●	●				
0045	ВИНТ М6Х20	65151225-FA		●	●	●	●	●	●	●	●	●	●	●	●	●	●	●	●				
0050	КАБЕЛЬ ПИТАНИЯ	993199		●	●	●	●	●	●	●	●	●	●	●	●	●	●	●	●				
0058	РАССЕКATEЛЬ ВОДЫ (1/2" H=70)	65117462		●	●	●	●	●	●	●	●	●	●	●	●	●	●	●	●				

