



SPARE PARTS EXPLODED VIEW  
STORAGE ELECTRIC WATER HEATERS

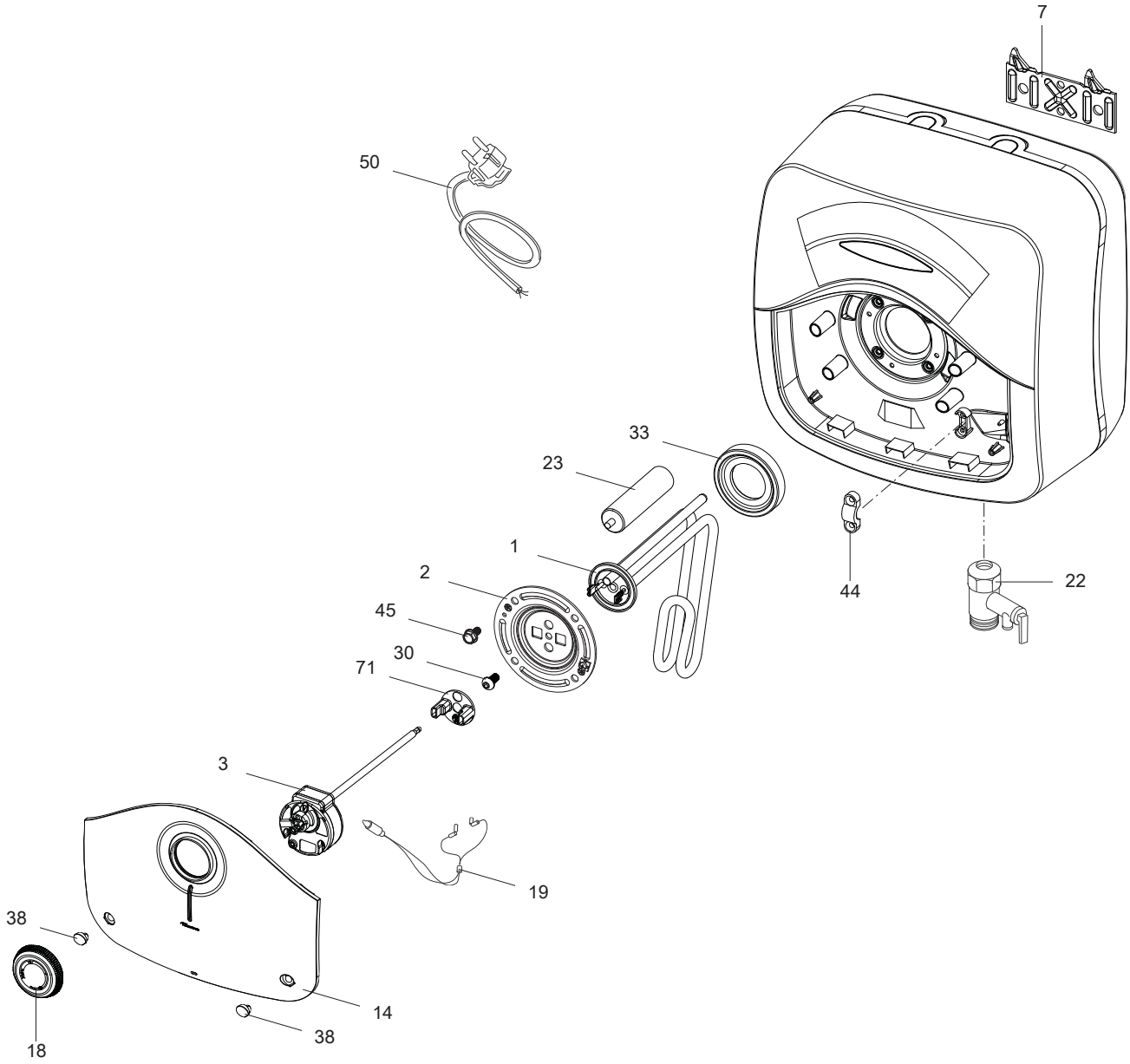
Model  
**ANDRIS R**

R8218025-02 - 24/04/2018

ANDRIS R

Storage Electric Water Heaters

1	3100797	ANDRIS R 10	03-2018	-
2	3100798	ANDRIS R 10U	03-2018	-
3	3100799	ANDRIS R 15	03-2018	-
4	3100800	ANDRIS R 15U	03-2018	-
5	3100801	ANDRIS R 30	03-2018	-
Col	Reference	Model type	Begin	End



☉⇒	Description	Manf. Pt. N	Type	<div style="display: flex; justify-content: space-between; align-items: center;"> <div style="writing-mode: vertical-rl; transform: rotate(180deg); font-size: small;"> ANDRIS R 10  ANDRIS R 10U  ANDRIS R 15  ANDRIS R 15U  ANDRIS R 30 </div> <div style="border: 1px solid black; padding: 2px;">31</div> </div>																		From	to
				1	2	3	4	5	6	7	8	9	10	11	12	13	14	15	16	17	18		
0001	НАГРЕВАТЕЛЬНЫЙ ЭЛЕМЕНТ 1200W 220-240V	65114900				●	●																
	НАГРЕВАТЕЛЬНЫЙ ЭЛЕМЕНТ 1200W 220-240V	65114905		●	●																		
	НАГРЕВАТЕЛЬНЫЙ ЭЛЕМЕНТ 1500W 220-240V	65114894																	●				
0002	ФЛАНЕЦ НА 4 БОЛТАХ	65115359		●	●	●	●	●															
0003	ТЕРМОСТАТ	65114891																	●				
	ТЕРМОСТАТ	65114908		●																			
	ТЕРМОСТАТ	65115012				●																	
	ТЕРМОСТАТ	65115013					●																
	ТЕРМОСТАТ	65115014																	●				
0007	КРОНШТЕЙН	570341		●	●	●	●	●															
0014	КРЫШКА ПЛАСТИКОВАЯ	65115092		●	●	●	●																
	КРЫШКА ПЛАСТИКОВАЯ	65115093																	●				
0018	РУЧКА РЕГУЛИРОВКИ	65115022		●	●	●	●	●															
0019	ИНДИКАТОРНАЯ ЛАМПА	993025		●	●	●	●	●															
0022	ПРЕДОХРАНИТЕЛЬНЫЙ КЛАПАН (1/2" 8,5 БАР)	571730		●	●	●	●	●															
0023	МАГНИЕВЫЙ АНОД D:21,3 L:110 M5-M8	65103768-01		●	●	●	●	●															
0030	ВИНТ М6Х12	993000		●	●	●	●	●															
0033	ПРОКЛАДКА ФЛАНЦА	65114660		●	●	●	●	●															
0038	ЗАГЛУШКА	65115090		●	●	●	●	●															
0044	ЗАЖИМ ДЛЯ КАБЕЛЯ	573266		●	●	●	●	●															
0045	ВИНТ ФЛАНЦА М6Х12	65114656		●	●	●	●	●															
0050	КАБЕЛЬ ПИТАНИЯ	570096		●	●	●	●	●															
0071	ИЗОЛЯТОР КЛЕММ ТЭНА (GREEN)	65114895																	●				
	ИЗОЛЯТОР КЛЕММ ТЭНА (YELLOW)	65114901		●	●	●	●																

## LIST OF THE ABBREVIATIONS

HW .....	: Hot water.
CW .....	: Cold water.
C .....	: Ceramic resistance (normal heating).
Ca .....	: Ceramic resistance (accelerated heating)
TP .....	: Immersion heater.
1F .....	: With fittings.
2F .....	: Without fittings.
3F .....	: With fittings and another outlet connection.
AMI .....	: With mixing valve.
SMI .....	: Without mixing valve.
PUISS .....	: Power of th appliance.
PN .....	: Appliance with normal pression.
LP .....	: Appliance with low pression.
PV .....	: Appliance with variable power.
PF .....	: Appliance with fixed power.

## IDENTIFICATION PLATE

### SERIAL NUMBER

**6 Characters :**  
 Year of manufacture 03 09 08 Manufacturing day  
 Month of manufacture

**9 Characters :**  
 Year of manufacture M 12 10 0606 Sequential number  
 Month of manufacture

**14 Characters :**  
SI-V-0B0 45 07 0001  
 Sequential number  
 Year of manufacture : 06 → 2004  
 Month of manufacture : → 25 → January 43 → July 7 → 2005  
 13 → February 29 → August 8 → 2006  
 32 → March 40 → September etc ...  
 35 → April 38 → October  
 39 → May 51 → November  
 45 → June 12 → December

**15 Characters :**  
 Year of manufacture 02 11 00001 007843 Code appareil  
 Month of manufacture Sequential number

**21 Characters :**  
3200050 XX 08115 0000001  
 Product reference Sequential number  
 Year (08) / Manufacturing day (115)

**22 Characters :**  
3200050 XX 070115 0000001  
 Product reference Sequential number  
 Year (07) / Month (01) / Manufacturing day (15)

The indications mentioned on the prices, commercial or technical literature and the scheme are written for your guidance and are available at a given time. The CONSTRUCTOR retains the power to modify the presentation, the form, the size, the conception or the material of the products.