



ARISTON

SPARE PARTS EXPLODED VIEW GAS-WALL CONDENSING BOILERS

Model

CLAS ONE

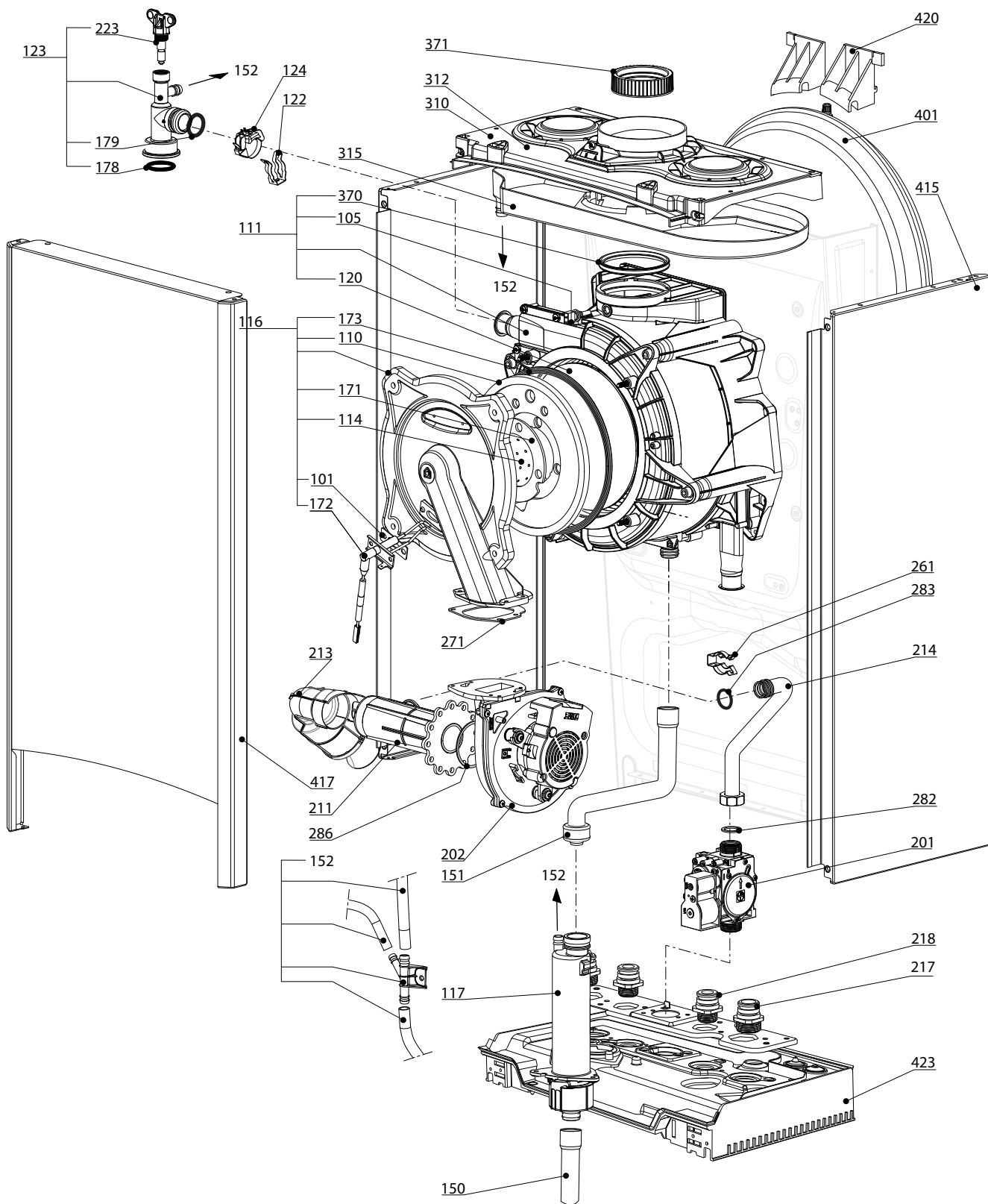
R8203482-03 - 14/06/2018

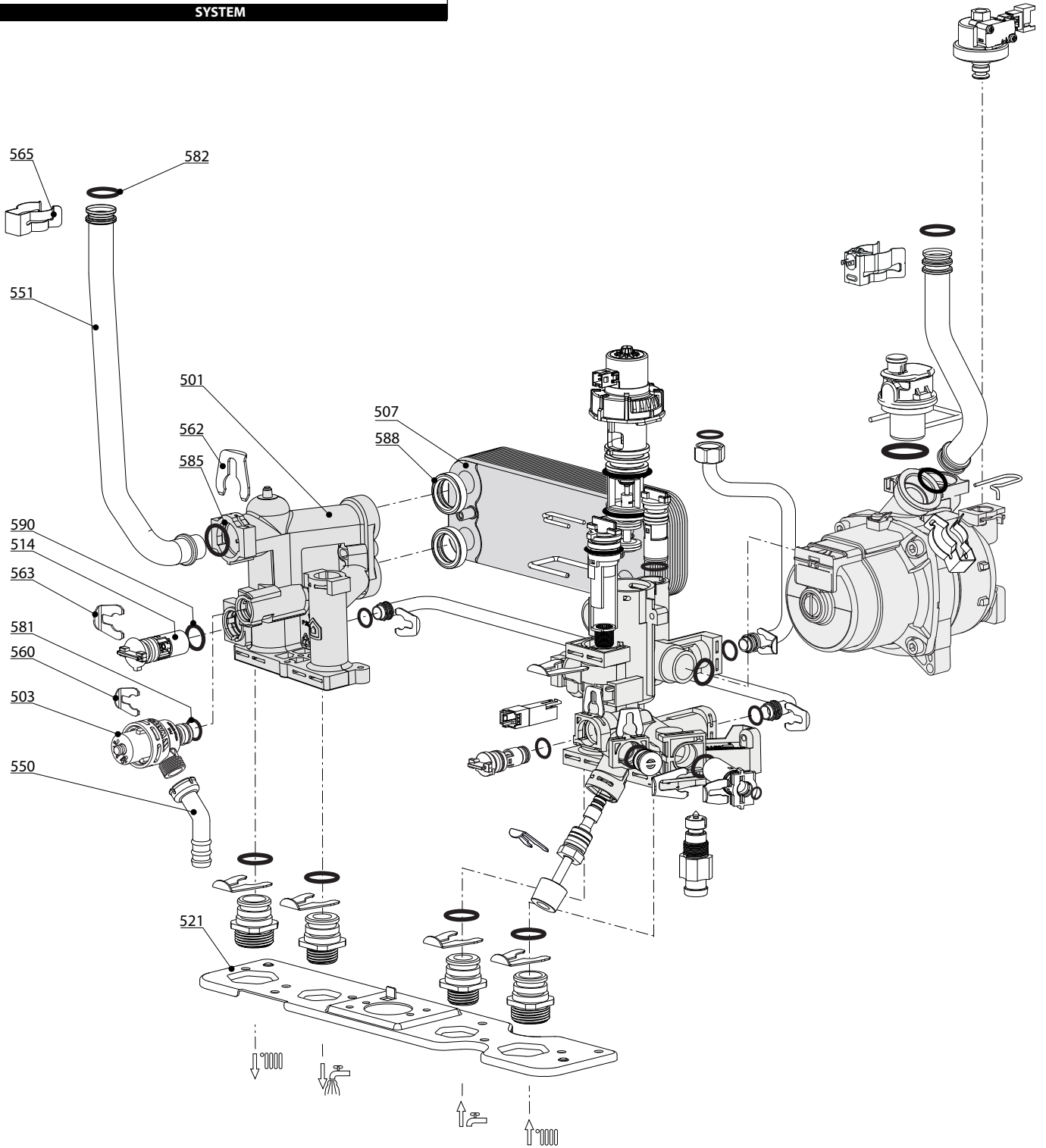
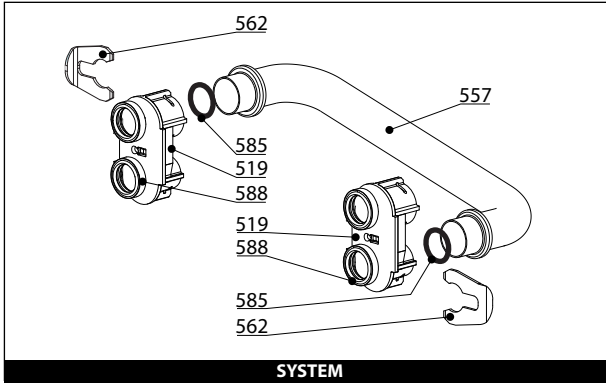
CLAS ONE

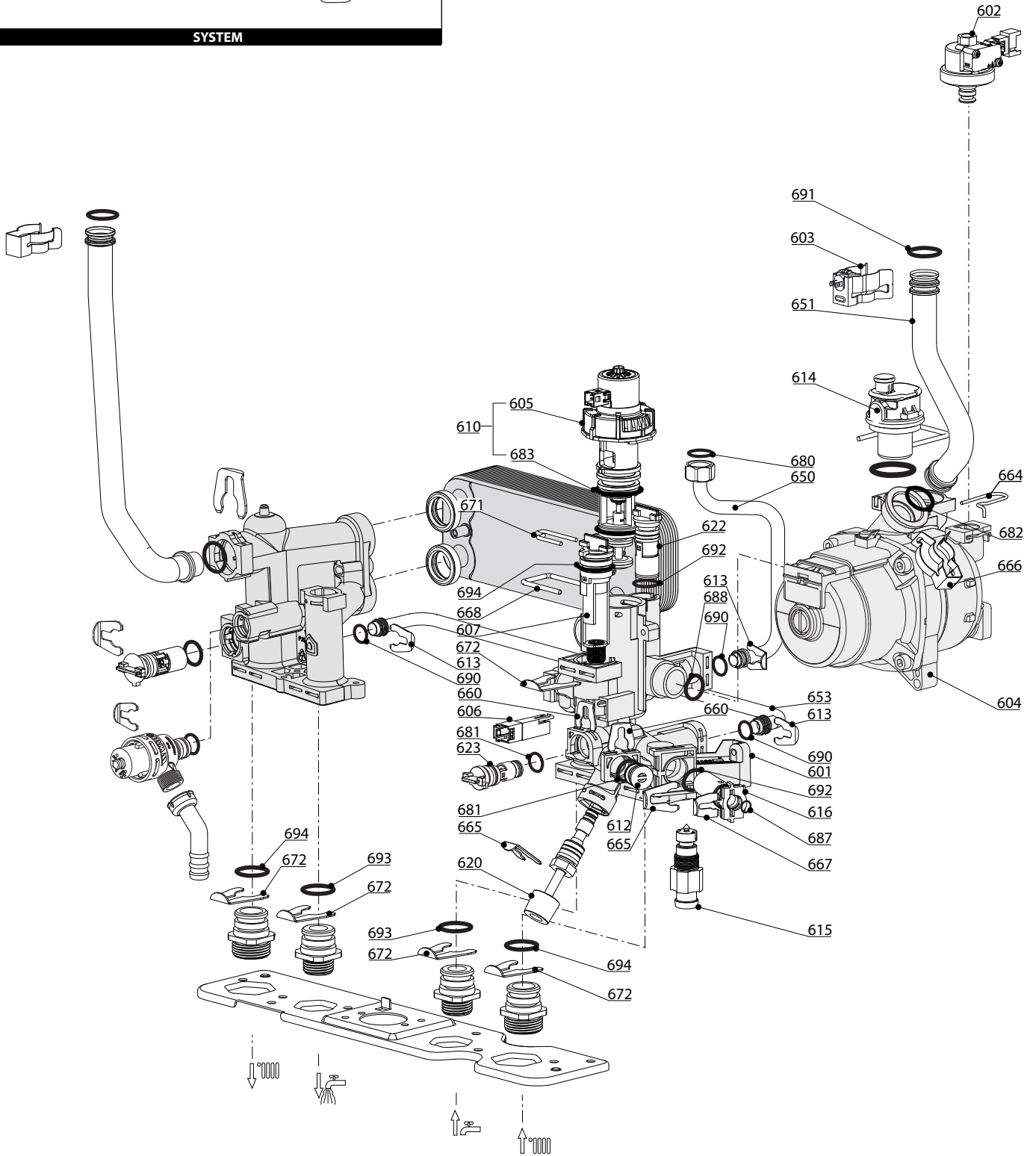
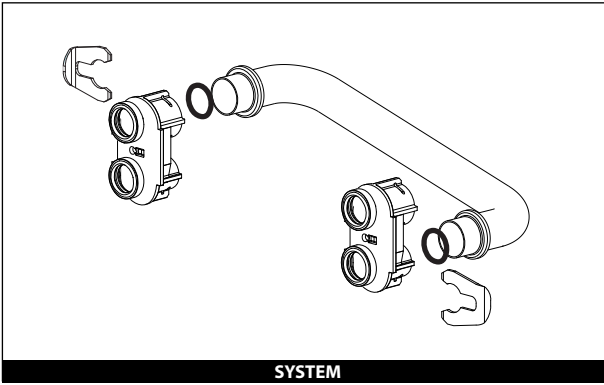
Gas-wall condensing boilers

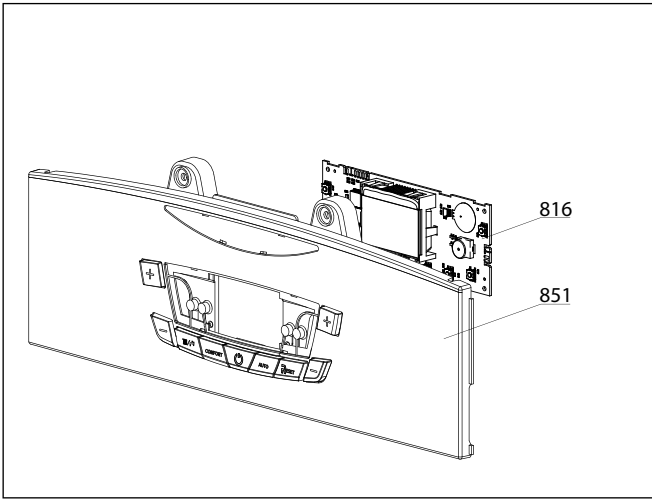
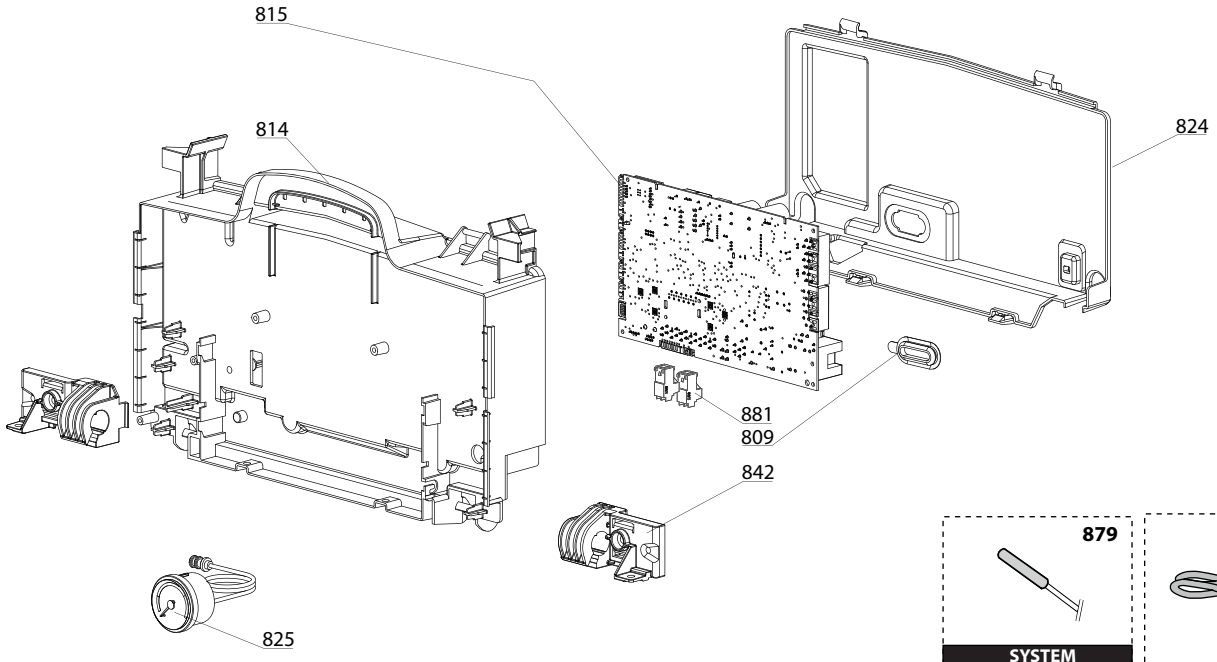
1	3301017	CLAS ONE 24 RDC	07-2017	-
2	3301036	CLAS ONE 30 RDC	07-2017	-
3	3301037	CLAS ONE 35 RDC	07-2017	-
4	3301038	CLAS ONE SYSTEM 18 RDC	07-2017	04-2018
5	3301039	CLAS ONE SYSTEM 24 RDC	07-2017	-
6	3301040	CLAS ONE SYSTEM 30 RDC	02-2017	-
7	3301041	CLAS ONE SYSTEM 35 RDC	07-2017	-

Col	Reference	Model type	Begin	End
-----	-----------	------------	-------	-----

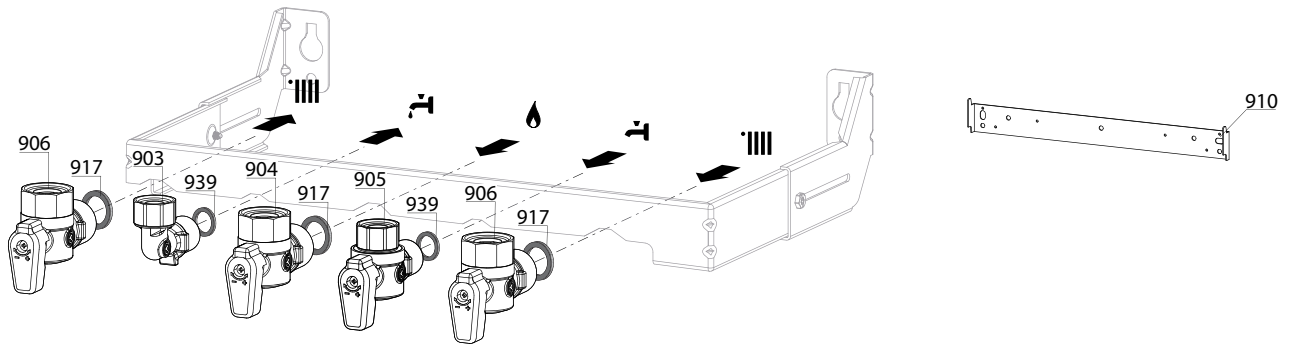




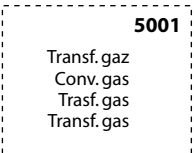




900



5000



LIST OF THE ABBREVIATIONS

HW	: Hot water.
CW	: Cold water.
C	: Ceramic resistance (normal heating).
Ca	: Ceramic resistance (accelerated heating)
TP	: Immersion heater.
1F	: With fittings.
2F	: Without fittings.
3F	: With fittings and another outlet connection.
AMI	: With mixing valve.
SMI	: Without mixing valve.
PUISS	: Power of th appliance.
PN	: Appliance with normal pression.
LP	: Appliance with low pression.
PV	: Appliance with variable power.
PF	: Appliance with fixed power.

IDENTIFICATION PLATE

SERIAL NUMBER

10 Characters :	04 05 125 011		
		Sequential number	
		Manufacturing day	
		Year of manufacture	
11 Characters :	1 95 065004 - 31		
Month of manufacture :		Technical number of the appliance	
from 1 to 9 → Jan. to Sep.,		Sequential number	
O → Oct., N → Nov.,		Year of manufacture	
D → Dec.			
19 Characters :	08 05 0013199 900640031		
Year of manufacture		Product reference	
Month of manufacture		Sequential number	
20 Characters :	3675007 XX 2 07 070 00315		
Product reference		Sequential number	
Millenium of manufacture		Manufacturing day	
		Year of manufacture	
21 Characters :	3675007 XX 07 070 0000315		
Product reference		Sequential number	
Year of manufacture		Manufacturing day	